

INSTALLATION AND MAINTENANCE

Steel Residential Garage Door Instructions

Model: _____ Serial No. _____

(Provided on label on interior door surface)

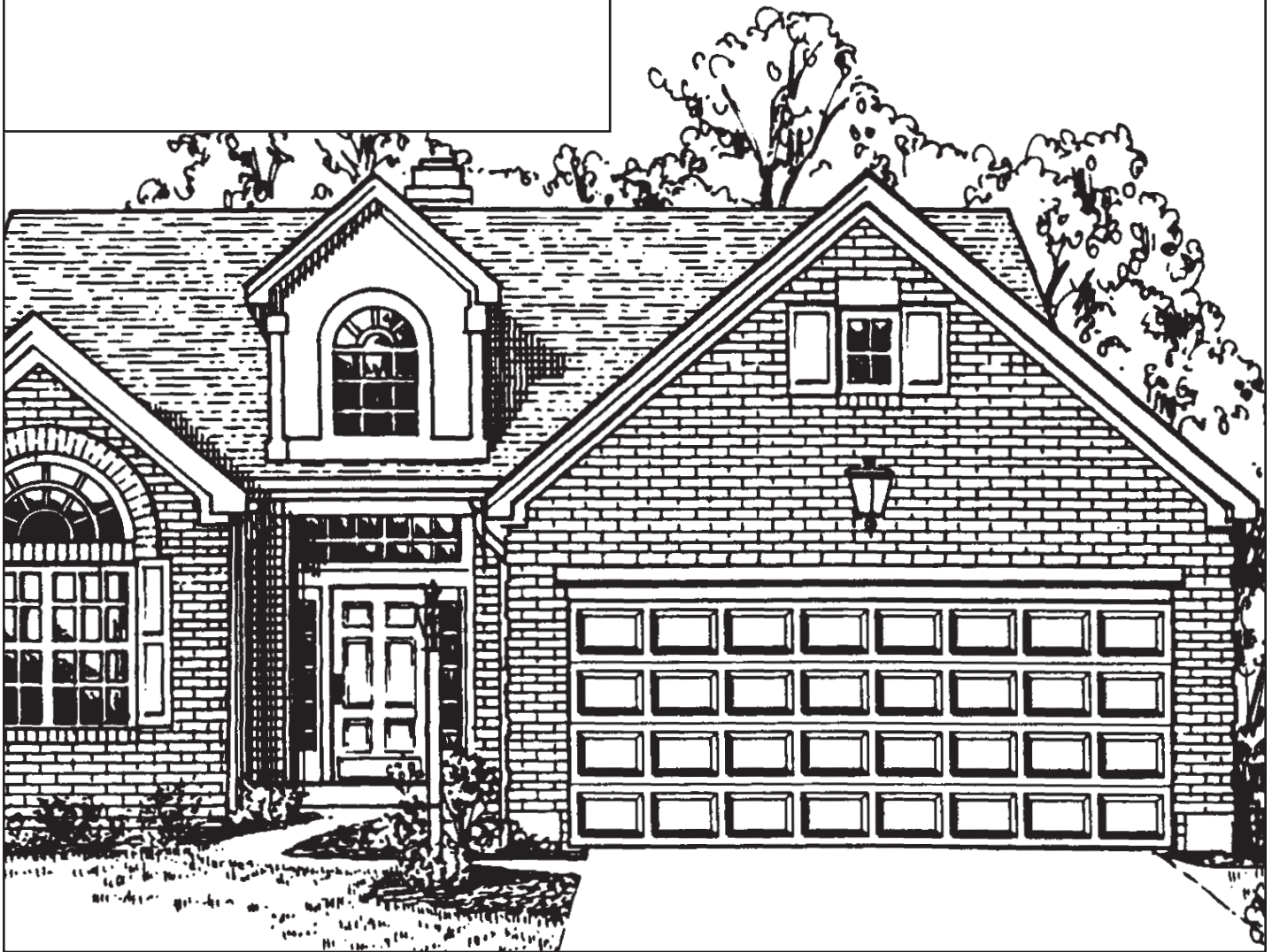
Size: _____ Register your product online at <http://warranty.clopaydoor.com>

Homeowners Should Retain This Booklet for Future Reference

This Manual Contains Important Safety Information

Installed By: _____

Clopay[®] BUILDING PRODUCTS
A Griffon Company



CONSUMER HOTLINE • 1-800-225-6729

FR

Français

La version française de ce manuel d'installation peut être accédée en ligne à l'adresse suivante : <http://www.clopaydoor.com/installation-manuals.aspx>

ES

Español

Se puede acceder a la versión en español del presente manual de colocación en la siguiente dirección: <http://www.clopaydoor.com/installation-manuals.aspx>

Hours of Operation (ET):
Mon. – Fri., 8:30 a.m. – 7 p.m.;
Sat. 8:30 a.m. – 5 p.m.

CLOPAY® LIMITED WARRANTY

STEEL DOOR LIMITED WARRANTY INFORMATION

Subject to the terms of this Limited Warranty ("Warranty") and any warranty policies and procedures in effect at the time a notice of a claim is received, we will repair or replace (at our sole discretion) any garage door sections/section components, hardware, or springs/spring components (collectively, "Replacement Parts") that we determine to be defective in material or workmanship so long as timely written notice is provided within the applicable limited warranty periods provided below. This Warranty shall apply and benefit only the original purchase of a Clopay garage door product and is non-transferable, and does not apply to decorative hardware or to any commercial, industrial or other non-residential application/installation.

Once we have verified any defect(s) with your product through persons authorized by Clopay, we will provide – at no cost to you – Replacement Parts to the extent necessary to repair or replace any such defective sections, hardware, or springs/spring components. We reserve the right to inspect and/or verify any claimed defect, as well as the right to replace product(s) used in extreme exposure conditions with a similar or like product, all within the sole discretion of Clopay. All labor costs associated with any warranty claim (including removal, reinstallation, installation, and/or finishing) will be your responsibility.

The applicable Warranty periods are as follows:

MODEL NUMBER	PAINT SYSTEM	HARDWARE/SPRINGS	SECTIONS/DELAMINATION	WINDOWS
T42S, T42L, T42F, T41S, T41L, T41F, T40S, T40L, T40F, TM40S, 94, HDB4, 84A, 48, 48B, 4800, 4801, 4803	Single Family – Lifetime Other – 10 Years Color Blast® – 5 Years	3 Years	5 Years	10 Years
T52S, T52L, T51S, T51L, T51F, 1500, 76V, 1000, 1001, 1100, HDS, HDSF, HDSL, 190, 52, 52S, 54, 54S, 55, 55HB, 55S, 183, 186, 187, 5200, 5201, 5203, 5500, 5501, 5503	Single Family – 25 Years Other – 10 Years Color Blast® – 5 Years	3 Years	5 Years	10 Years
T50S, T50L, T50F, HDB, 73, 76, 75, 75L, 42, 42B, 46, 46B, 4200, 4201, 4203	Single Family – 15 Years Other – 10 Years Color Blast® – 5 Years	3 Years	5 Years	10 Years

Terms and limitations of the limited warranty are further detailed below:

* Applies to residential single family installations.

** "Other" refers to all other residential installations (including installations on facilities owned in common by condominium associations or similar organizations).

ADDITIONAL INFORMATION REGARDING YOUR PAINT SYSTEM LIMITED WARRANTY

Clopay warrants the sections of the Models listed above against rust-through due to the paint finish cracking, checking or peeling (i.e. losing adhesion) that occurs despite required cleaning and maintenance of your door. Rust-through is defined as corrosion causing perforation(s) of the steel from one side of the steel substrate through to the opposite side. Failure to properly clean and maintain your door (particularly in, but not limited to, high-salt or acidic environments) may result in surface rust, a coating that forms on the surface when exposed to moisture, which – if left untreated – may result in loss of warranty coverage.

EXCLUSIONS TO COVERAGE

This warranty shall not extend to damages or defects caused by any of the following:

Paint or Stain Not Applied per Manufacturer Specifications after Delivery of Door	Failure to Follow All Installation Instructions	Failure to Follow Maintenance Instructions	Faulty or Defective Installation(s)
Fire	Radiation (UV or Other)	Foreign Substances	Accident or Casualty
Harmful Fumes	Vandalism	Act(s) of God	Physical Damage
Salt Spray or Exposure	Normal Wear and Tear	Chemical Action	Abrasive Materials
Operation Beyond Rated Capacity	Improper Use or Abuse	Improper Installation or Handling	Exposure to Coastal Weather Conditions
Alteration, Modification or Use of Non-OEM/Clopay-Approved Parts or Products	Other Painted Parts Not Part of a Door Section (such as stop mold)	Normal Fading or Discoloration from Usage, Age or UV Exposure	Thermal bow as described in DASMA Technical Data Sheet 185 www.dasma.com

If you make any repair or alteration without first providing notice to and receiving authorization from us, or use any parts, accessories, or attachments other than authorized by Clopay for use in its products, you will be solely responsible for any such repairs or parts and you may void this Warranty. Routine maintenance and related items, as well as minor adjustments or damage caused by your installer either during delivery or installation, are excluded from this Warranty. For purposes of this Warranty, minor scratches will not be considered a defect.

If you would like to submit a Warranty claim, notify Clopay Customer Service promptly after discovery of the defect by sending an email BPCwarranty@clopay.com or calling 800-621-3667. Please be prepared to send us a proof of purchase and complete description with photographs of any issues. YOU MUST REPORT ANY MANUFACTURING DEFECTS THAT ARE IMMEDIATELY OBVIOUS OR VISIBLE AT THE TIME OF INSTALLATION (SUCH AS INCORRECT OR INCONSISTENT PAINT COLOR, MANUFACTURING DEFECTS (E.G. SURFACE CONTAMINANT(S) OR SMUDGES), VISIBLE PHYSICAL DAMAGE, OR MAJOR SCRATCHES) WITHIN FORTY FIVE (45) DAYS FROM THE DATE OF INSTALLATION OR YOUR CLAIM MAY BE BARRED. Additional copies of our installation and maintenance instructions may be obtained by calling 1-800-621-3667.

UNDER NO CIRCUMSTANCES SHALL WE BE LIABLE FOR ANY CONSEQUENTIAL OR SPECIAL DAMAGES WHICH ANY PERSON OR ENTITY MAY INCUR OR CLAIM TO INCUR AS A RESULT OF ANY DEFECT IN THE PRODUCT OR IN ANY CORRECTION OR ALTERATION THEREOF MADE OR FURNISHED BY US OR OTHERS. OUR MAXIMUM LIABILITY UNDER THIS WARRANTY SHALL BE THE PURCHASE PRICE PAID TO US WITH RESPECT TO THE GARAGE DOOR TO WHICH SUCH WARRANTY IS CLAIMED. THE LIMITATION OF LIABILITY PROVISIONS HEREIN SHALL APPLY TO ANY AND ALL CLAIMS OR SUITS BROUGHT AGAINST US, INCLUDING ANY CLAIM BASED UPON NEGLIGENCE, BREACH OF CONTRACT, BREACH OF WARRANTY, STRICT LIABILITY OR ANY OTHER THEORIES UPON WHICH LIABILITY MAY BE ASSERTED AGAINST US.

This warranty constitutes our entire and exclusive warranty as to the Components and is the sole and exclusive remedy for product defects in material and workmanship. We do not assume (and have not authorized any other person to assume on its behalf) any other warranty or liability in connection with any product covered by this warranty. WE MAKE NO OTHER WARRANTIES, REPRESENTATIONS OR COVENANTS, EXPRESS OR IMPLIED, WITH RESPECT TO THIS PRODUCT, INCLUDING BUT NOT LIMITED TO WARRANTIES, REPRESENTATIONS OR COVENANTS AS TO WORKMANSHIP, DESIGN, CAPACITY, QUALITY, CONDITION, MERCHANTABILITY OR FITNESS FOR ANY PURPOSE OF THE PRODUCT, EXCEPT FOR ANY "IMPLIED WARRANTY" AS THAT TERM IS DEFINED IN THE MAGNUSON-MOSS WARRANTY-FEDERAL TRADE COMMISSION IMPROVEMENT ACT, SUCH IMPLIED WARRANTIES TO BE LIMITED IN DURATION TO A PERIOD OF ONE YEAR FROM THE DATE OF PURCHASE.

This warranty gives you specific legal rights, and you may also have other rights that vary from state to state.



©2017 Clopay Building Products Company, Inc., a Griffon company.

Table of Contents

Introduction and Opening Preparation

STEP 1 – Things to Know Before You Begin.....	3
STEP 2 – Read Safety Information	4
STEP 3 – Check Headroom, Backroom, Sideroom.....	5
STEP 4 – Removing the Existing Door Springs	6
STEP 5 – Removing Door Sections and Track.....	7
STEP 6 – Preparing the Opening.....	7

Preparing the New Door

Typical Garage Door Installation Illustration.....	8
Hardware Components.....	9

Installing the New Door

STEP 7 – Preparing Bottom Section	10
STEP 8 – Lift Handle Attachment.....	11
STEP 9 – Installing Door Sections	12
STEP 10 – Reinforcing the Top Section for Opener Attachment.....	14
STEP 11 – Assembling and Installing Track.....	15
STEP 12 – Lock Installation (if included).....	17
STEP 13 – Pull Rope.....	17
STEP 14 – Spring Installation.....	17
STEP 15 – Attaching an Automatic Opener.....	18

Maintenance/Adjustments/Options

Painting and Windows.....	19
Maintenance	19
Checking and Adjusting the Door.....	20
Replacement Parts.....	20

STEP 1 – Things to Know Before You Begin

- Read the instructions completely before starting the installation of the door. Becoming familiar with the components before assembling the door will reduce the installation time.
- Be sure all hardware components for your new door are included before removing existing door (see pages 8,9). If your door is missing any parts, call the toll-free Consumer Services number listed on the front of this manual.
- Allow enough time to do the work; removing an existing door will take approximately 1–3 hours.
- An assistant may be required for lifting the unsprung door. It can weigh from 100 to 500 pounds.
- A typical installation takes between 9 and 12 hours to complete.
- Keep in mind when planning the installation that the garage will be open and unsecured when disassembling the old and assembling the new door.
- If the garage door is the only opening in the structure, make sure everything you need is inside. You will have no way of leaving the garage until the track is assembled and installed. This will take approximately 5 hours.
- To avoid damage to the door, you must reinforce the top section of the door in order to provide a strengthened mounting point for attachment of an automatic opener (see page 14).
- Low headroom doors require special instructions. Options for doors with low headroom can be found on page 5. Purchase of additional hardware may be required. Check headroom requirements in the chart on page 5 before beginning.
- To avoid installation problems that could result in personal injury or property damage, never reuse old track or hardware.
- Doors installed in high windload regions (Florida and other high wind-prone areas) may require additional reinforcement beyond what is detailed in these instructions. Please refer to supplemental instructions for these areas.
- Express warranties apply only to doors installed using original, factory-supplied sections, parts and hardware installed in strict accordance with these instructions.

Tools Needed

- C-clamps or locking pliers
- Hammer
- Screwdriver
- Tape measure
- Level
- Socket wrench kit
- Pliers
- Drill, 1/4", 3/16" and 3/8" drill bits, and 7/16" socket bit
- Stepladder
- Sawhorses (with carpet or other soft material on top surface) or other supports for placing section on while assembling
- Hacksaw
- Wood saw
- T-square
- Additional tools may be required; see the Spring Supplement for more information.

Additional Material Required

- Light household oil
- 1-1/4" x 1-1/4" minimum punched angle
 - 13 ga. (3/32") minimum thickness for operator reinforcement (see page 14)
 - 16 ga. (1/16") minimum thickness for rear track hangers on doors weighing up to 300 lbs. that use torsion springs, or doors weighing up to 150 lbs. that use extension springs. If your door exceeds these weight limitations, or if you do not know the weight of your door, 13 ga. angle should be used (see page 16).
- Eight 3/8" x 1" bolts and nuts for rear track hangers
- Six 5/16" x 1-1/2" lag screws for rear track hangers
- Ten 10d 3" nails
- Stop molding
- Wood block
- Rope

STEP 2 – READ THIS SAFETY INFORMATION IMPORTANT!

To Protect Yourself from Injury, You Must Carefully Read the Following Safety Information and Warnings Before You Install or Use Your New Garage Door.

- You can install your new garage door yourself IF...
 - a) you have help (it may weigh up to 500 lbs.);
 - b) you have the right tools and reasonable mechanical aptitude or experience; and
 - c) you follow these instructions very carefully.
- Garage doors use springs to balance them. There are two types of springs installed – extension or torsion. Each of these is available in either a standard or EZ-SET® assembly option. Please look at the drawings on page 8 to see which springs your old door has.
- **If your old door uses torsion springs, do not attempt to remove the door or the springs yourself.** Have a qualified door repair service remove them. Attempting to remove a torsion spring assembly without proper training or tools may result in an uncontrolled release of spring forces which can cause serious or fatal injury.
- **Only the track specified and supplied with the door should be used.**
- The brackets at the bottom corners of your garage door are under great tension. **Do not attempt to loosen any bracket fasteners except when and as directed in detail in the following instructions.** Otherwise, the bracket could spring out with dangerous force.
- **Do not permit children to play beneath or with any garage door or electric operating controls.**
- In removing a garage door that has extension springs, follow the instructions carefully, including the use of C-clamps or locking pliers on both sides of the door in order to keep the door from moving once the springs are removed.
- Keep hands and fingers clear of section joints, track and other door parts when the door is opening and closing to avoid injury. The lift handles are located for safe operation as well as easy use.
- Bolts must be installed at the rear end of horizontal tracks. These act to stop the rollers and keep the door from rolling off the back of the track.
- Track installations must use sway braces on the rear track hangers to prevent sideways movement. If the tracks are not firmly stabilized they might spread, allowing the door to fall and cause severe injury and damage.
- **Do not attach any brackets directly to drywall or sheet rock.** All track brackets, flag brackets and spring brackets should only be attached directly to wood bucks. Otherwise, brackets could pull out of the drywall with dangerous force.
- Springs, cables and bottom fixtures are under strong spring tension. **Do not attempt to loosen any fasteners on these components.** You could suddenly release spring forces and risk severe injury.
- If the garage door and/or any of the supporting track are damaged, operating the door could be hazardous. Call an authorized representative of the manufacturer or professional door repair service promptly.
- If repairs are ever required to your door, safety and trouble-free operation can be best assured by using original replacement parts.
- Once you have completed the installation of your new garage door, please be sure that your garage complies with all applicable ventilation requirements before you enclose any vehicles in the garage. Good ventilation avoids fire and health hazards caused by fumes accumulating within a well-sealed garage.
- Clopay Building Products Company disclaims all liability for any installation that is not in compliance with applicable state or county building codes.
- Doors equipped with automatic door operators can cause serious injury or death if not properly adjusted and operated. To ensure safety of these doors:
 - a) test the sensitivity of the operator's safety reverse mechanism monthly;
 - b) if your door has a pull-down rope, you must remove it;
 - c) make sure the door remains unlocked;
 - d) do not allow children to play with the controls.
- Only approved residential operators are permitted to be used in residential applications. A residential application is a building for four families or less or a garage that is serving the primary residence.

WARNING

In the interest of safety this symbol means WARNING or CAUTION. Personal injury and/or property damage may occur unless instructions are followed carefully.

STEP 3 – Check Headroom/ Backroom/ Sideroom

Headroom is the space needed above the top of the door for the door, the overhead tracks and the springs. Measure to check that there are no obstructions in your garage within that space. The normal headroom space requirement is shown in Table 3-A. The backroom distance is measured from the back of the door into the garage, and should be at least 18" more than the height of the garage door. A minimum sideroom of 3-3/4" (5-1/2" for EZ-SET® Extension Spring) should be available on each side of the door on the interior wall surface to allow for attachment of the vertical track assembly. The rough opening should be the same size as the door. (Fig. 3-A)

Track radius: The radius of your track can be determined by measuring the dimension "R" in Fig. 3-B. If dimension "R" measures 11" to 12", then you have a 12" radius track. If "R" equals 14" to 15", then you have a 15" radius track. (Fig. 3-B)

Headroom Requirements

The standard headroom space requirement is shown in Table 3-A. (See page 8 if you have a question on which type of spring you have.)

Low headroom? If you have restricted headroom, several remedies are available. See Table 3-B for various options.

NOTE: Installation of the various low headroom options differs from the installation of a standard headroom door. Supplemental instructions are included with the hardware of each low headroom option.

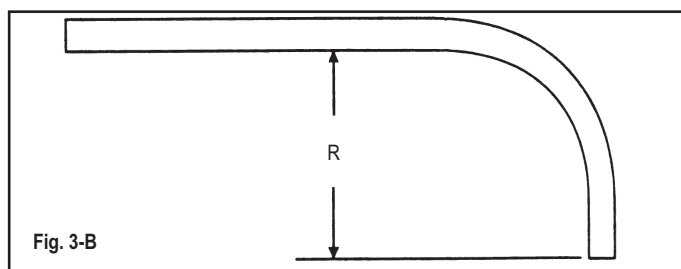
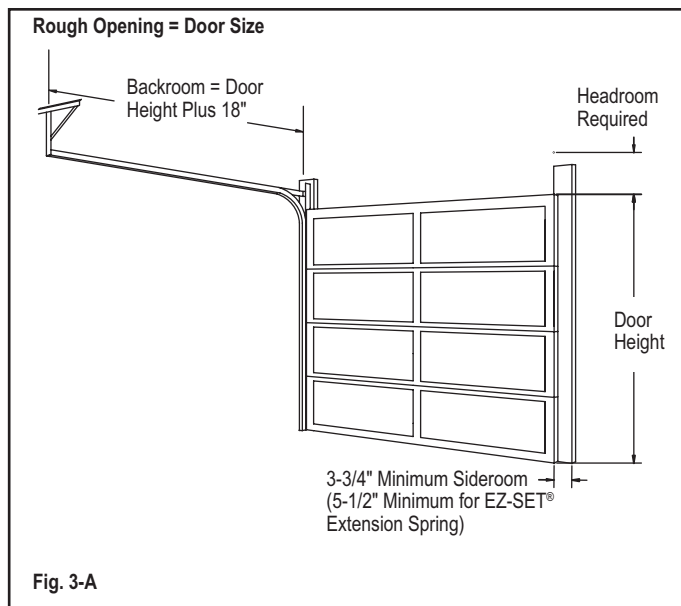


Table 3-A: Standard Headroom Requirement Chart

Spring Type	Track Radius	Headroom Required
EZ-SET® Extension Spring or Extension Spring	12"	10"
EZ-SET® Extension Spring or Extension Spring	15"	12"
EZ-SET® Torsion Spring or Torsion Spring	12"	12"
EZ-SET® Torsion Spring or Torsion Spring	15"	14"

Table 3-B: Low Headroom Options*

Spring Type	Low Headroom Option	Reduces Required Headroom to:	How can I get this option?
Extension and EZ-SET® Extension	Low Headroom Track	4-1/2"	Order Low Headroom Track.
Extension and EZ-SET® Extension	Low Headroom Conversion Kit (Modifies Standard Track)	4-1/2"	Available at most retail stores.
Extension and EZ-SET® Extension	Quick Turn Bracket	8" on 12" Radius Track	Order Quick Turn Bracket Set.
EZ-SET® Torsion	Low Headroom Track (Front Mount Spring)	9-1/2"	Order Low Headroom Track.
EZ-SET® Torsion	Low Headroom Conversion Kit (Modifies Standard Track)	9-1/2"	Available at most retail stores.
Torsion	Low Headroom Track (Front Mount Spring)	9-1/2"	Available from and should be installed by professional installer only.
Torsion	Low Headroom Track (Rear Mount Spring)	4-1/2"	Available from and should be installed by professional installer only.

*About 3" of additional headroom height at the center plus additional backroom is needed to install an automatic garage door opener. Check door opener instructions.

STEP 4 – Removing the Existing Door Springs

⚠ WARNING

Garage doors use springs to balance the door weight. There are two types of springs used – extension and torsion. Each of these is available in either a standard or EZ-SET® assembly option. Please look at the drawings on page 8 to see which springs your old door has. **If your present door uses standard torsion springs, do not attempt to remove the door or the springs yourself.** They should be removed by a qualified door service professional. Attempting to remove a torsion spring assembly without proper training and tools may result in an uncontrolled release of spring forces which can cause serious or fatal injury.

Extension springs and EZ-SET® springs are shown on a sectional garage door in the illustration on page 8. Determine which springs your door has. The following instructions detail how to remove these springs.

⚠ WARNING

Serious injury could result if spring tension has not been released before other work begins.

Removing Extension Springs

⚠ WARNING

Use two or more helpers to assist you in lowering the door.

Step 4-1a: Raise the door to the full open position. Place C-clamps or locking pliers tightly on both sides of the track under the door so the door is held securely in place. With the door fully open, most spring tension has been removed. (FIG. 4-A) Do not attempt to remove or adjust extension springs with door in the down position. Use C-clamps to keep the door from moving or falling once the springs are removed.

Step 4-2: Detach the cable at both ends. Disassemble and remove the springs and cable completely from the door.

NOTE: Wood blocks should be placed underneath the door when closing to prevent fingers from being trapped.

Step 4-3: Remove the C-clamps from the track and carefully close the door.

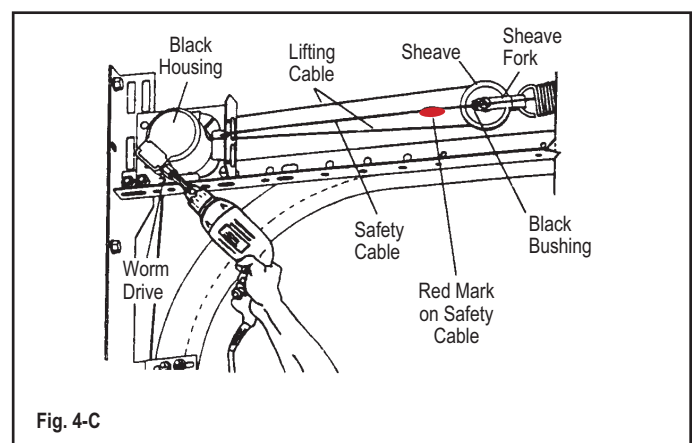
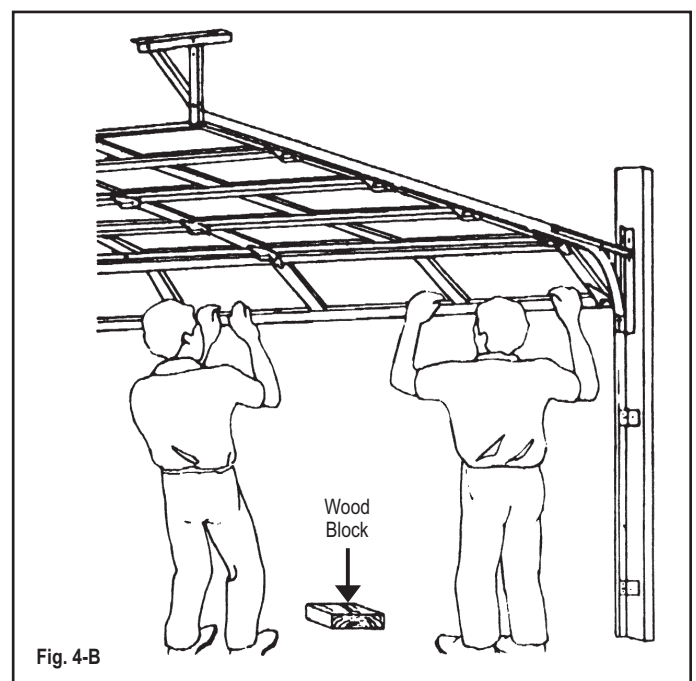
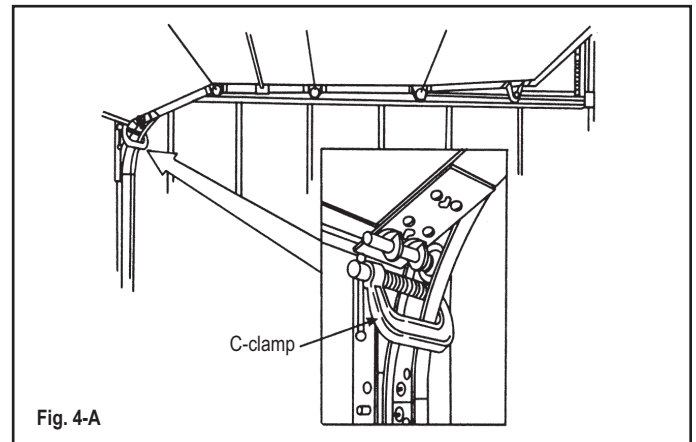
Some large doors might weigh as much as 500 pounds when the spring tension is removed. The weight of the door will not be apparent when you first begin to close the door. The door will feel progressively heavier as it is lowered until its full weight (as much as 500 pounds) is realized about one foot from the floor. A single car door may weigh as much as 200 pounds. (FIG. 4-B)

⚠ WARNING

To avoid injury, keep hands and fingers clear of section joints, track and other door parts while the door is opening and closing.

Removing EZ-SET® Extension or Torsion Springs

Step 4-1b: With the door in the DOWN position, position a drill with a 7/16" socket bit over the worm drive. Using the reverse (counter-clockwise) direction on the drill, remove all the tension from the spring (repeat for each side). After spring tension has been removed, detach the lift cables at both ends. Disassemble and remove the springs and cable completely from the door. (FIG. 4-C)



STEP 5 – Removing Door Sections and Track

Step 5-1: The door can now be disassembled. Starting with the top section, remove the hardware and unstack the sections one at a time. (Fig. 5-A)

Step 5-2: After all sections have been removed from the opening, detach all remaining track and hardware from the jambs. The hangers that attach the rear ends of the overhead track to the ceiling (called rear track hangers) in many cases can be reused on the new door if made of 13 gauge (3/32") or heavier steel and is not loose or unstable. (Fig. 5-B).

WARNING

To avoid installation problems that could result in personal injury or property damage, use only the track specified and supplied with the door. Do not attempt to reuse old track.

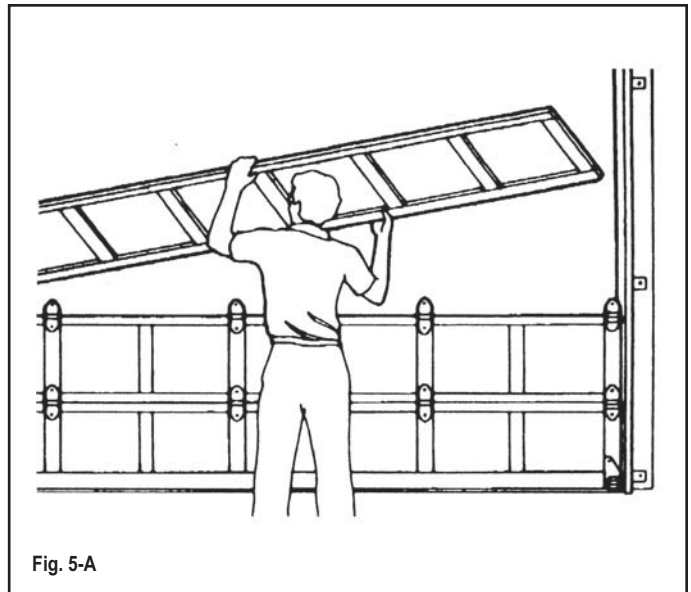


Fig. 5-A

STEP 6 – Preparing the Opening

Step 6-1: On the inside of the garage your opening should be framed with wood jambs, 2" x 6" if possible. The side jambs should extend to approximately the same height as the headroom required. If you have just removed an old door, the jambs should be inspected for the condition of the wood. If the wood is rotten, it should be replaced now. The jambs should be plumb and the header should be level. If there are any bolts fastening the jambs to the wall, the heads should be flush so they don't interfere with the installation of your new door. (Fig. 6-A)

NOTE: Rough opening (without stop molding) = door size

Step 6-2: Door stop molding should be temporarily nailed to the edges of the jambs flush with the inside. (Fig. 6-B)

Stop molding featuring a built-in weatherseal is offered as an option.

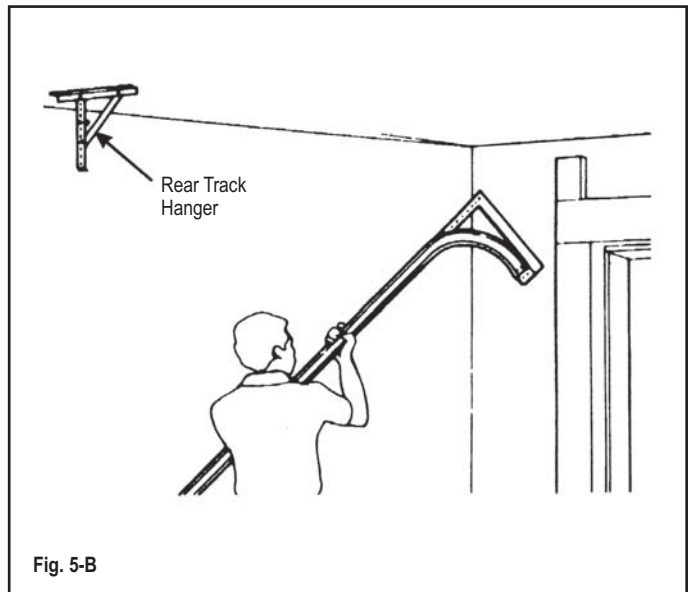


Fig. 5-B

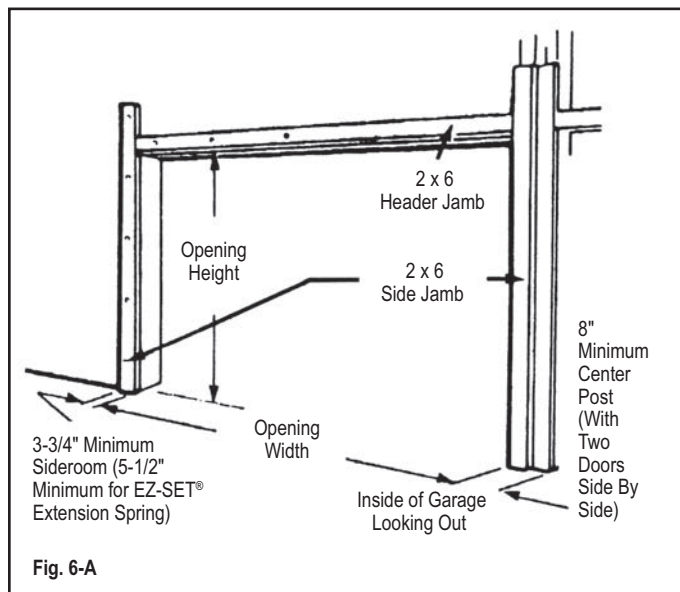


Fig. 6-A

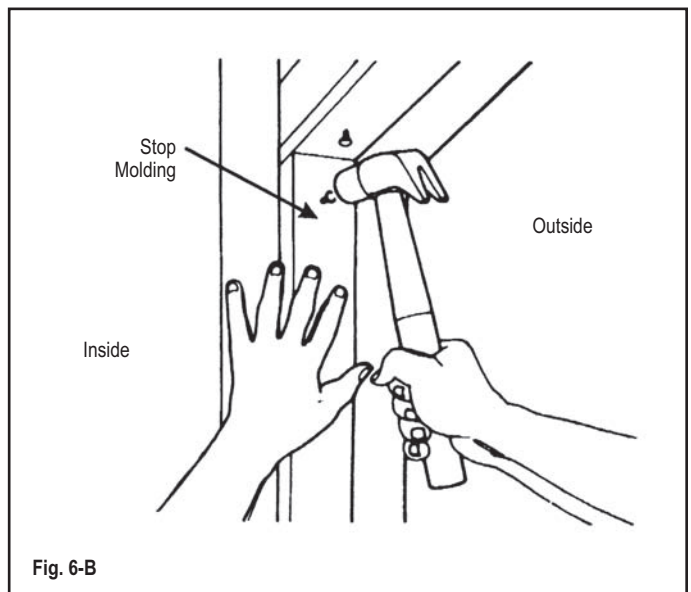
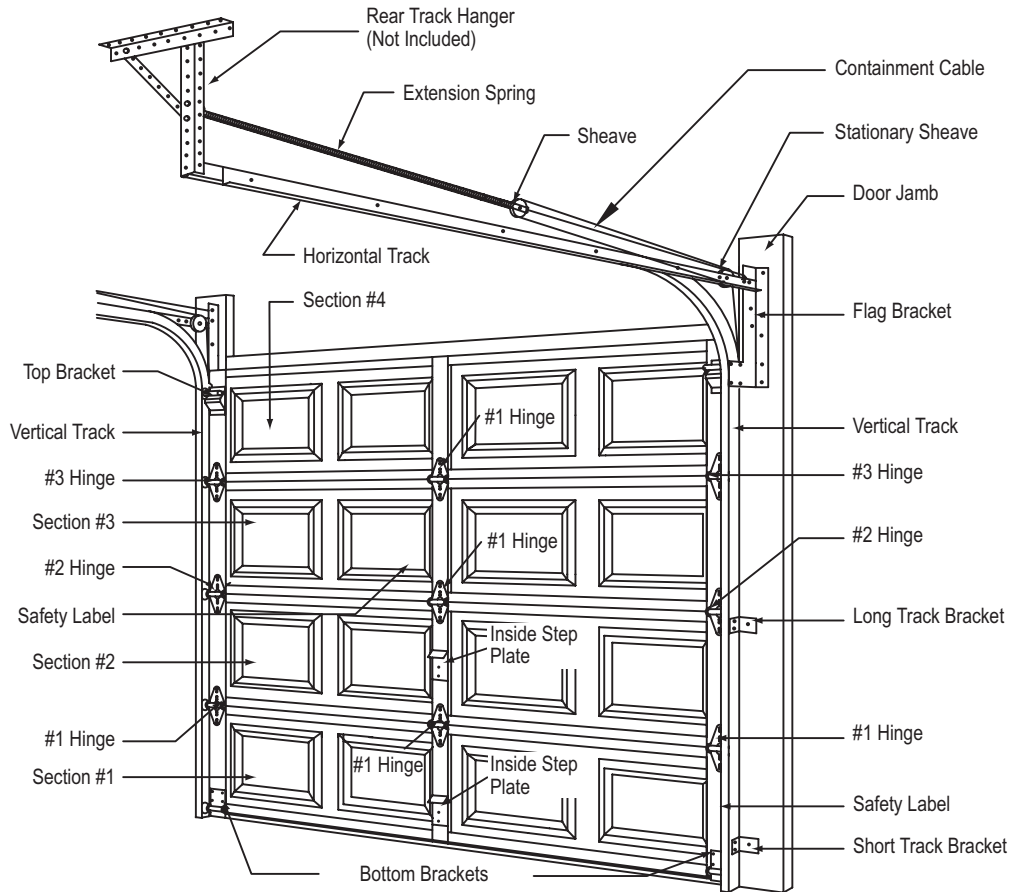
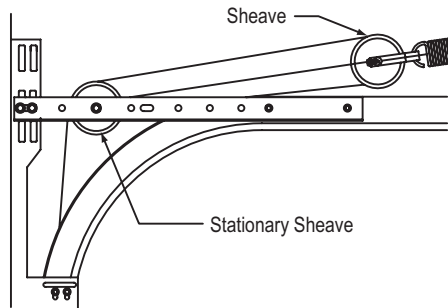


Fig. 6-B

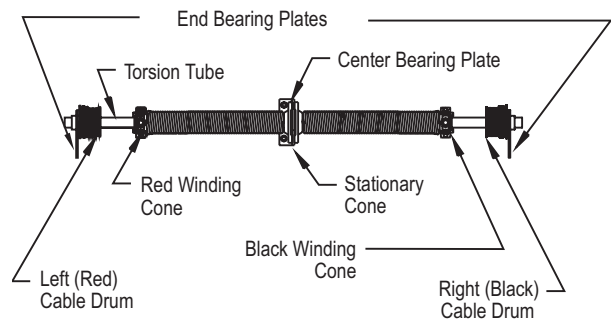
Typical Garage Door Installation Illustration Extension Spring System Shown on Complete Door



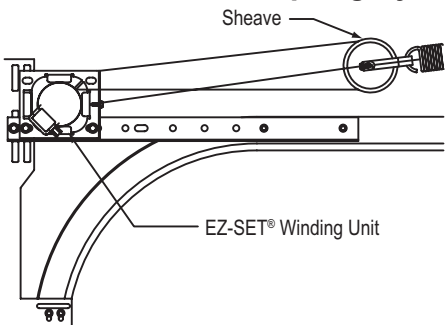
Standard Extension Spring System



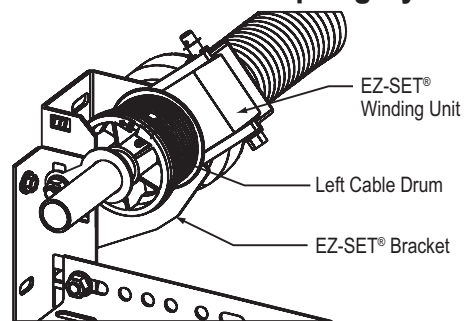
Standard Torsion Spring System



EZ-SET® Extension Spring System



EZ-SET® Torsion Spring System

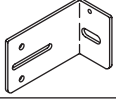
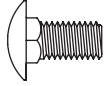

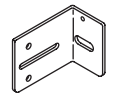
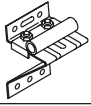
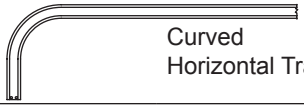
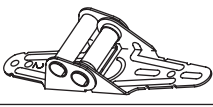
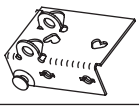
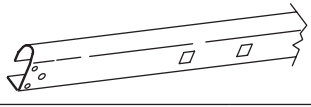

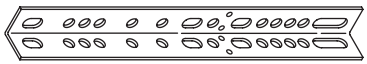
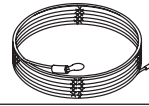

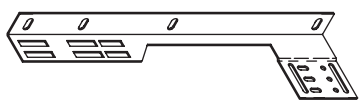



NOTE: The above illustration represents a composite of many of the features found on a variety of garage doors. While not representative of any one door, it provides a handy reference for the location of specific components.


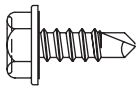
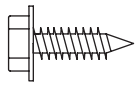
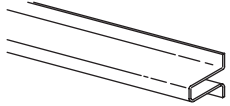
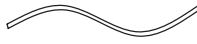
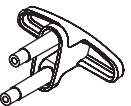
Hardware Components

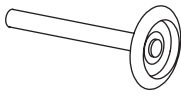


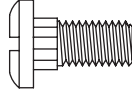
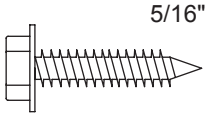
NOTE: All doors will receive (1) spring kit and (1) or more springs. Separate spring installation supplemental instructions should be included with door hardware. This supplement contains a list of all spring related hardware along with instructions on proper spring installation.

All Doors Will Receive (2) of These Items:

	Track Bracket (Longer)		3/8"-18 x 3/4" Lg. Carriage Bolt		3/8" Washer
	Track Bracket (Shorter)		Top Bracket		Curved Horizontal Track
	#2 Hinge		Bottom Bracket (1) LH + (1) RH		Vertical Track
	#3 Hinge		Horizontal Angle		Cable Assembly
	#4 Hinge (5 Section Doors Only)		Flag Bracket (1) LH + (1) RH		3/8" Hex Nut

(While not representative of any one model, the quantities below can be used as a guide. In some instances, extra screws/bolts are provided in the event of strip-out or loss of parts.)

Description	Door Size:	Qty.	
	1/4" Flange Nut	Single Car Doors 8' – 9'W x 6'6" – 7'0"H	16
	Double Car Doors 16'W x 6'6" – 7'0"H	22	
	1/4" x 3/4" Hex Head Self-Tapping Screw	Single Car Doors 8' – 9'W x 6'6" – 7'0"H	0
	Double Car Doors 16'W x 6'6" – 7'0"H	10	
	#14 x 5/8" Hex Head Sheet Metal Screw	Single Car Doors 8' – 9'W x 6'6" – 7'0"H	56
	Double Car Doors 16'W x 6'6" – 7'0"H	90	
	Struts*	Single Car Doors 8' – 9'W x 6'6" – 7'0"H	0
	Double Car Doors 16'W x 6'6" – 7'0"H	1	
	Pull Rope	All Doors	1
	Lift Handle	All Doors	1 or 2

Description	Door Size:	Qty.	
	Rollers	4 Section Doors	10
	5 Section Doors	12	
	#1 Hinge	Single Car Doors 8' – 9'W x 6'6" – 7'0"H	5
	Double Car Doors 16'W x 6'6" – 7'0"H	11	
	Inside Step Plate	All Doors	1 or 2
	1/4" x 5/8" Track Bolt	Single Car Doors 8' – 9'W x 6'6" – 7'0"H	16
	Double Car Doors 16'W x 6'6" – 7'0"H	22	
	5/16" x 1-5/8" Lag Bolt	4 Section Doors	10
	5 Section Doors	12	
Keyed Lock Kit (If included, parts are detailed in lock instructions)	All Doors	0 or 1	

*More struts may be required in high windload areas.

STEP 7 – Preparing Bottom Door Section

Step 7-1: Spread the hardware on the garage floor in groups so that you can easily find the parts.

Step 7-2: Find the section with the aluminum weatherstrip retainer fastened to one edge. The aluminum weatherstrip retainer is on the bottom edge of the bottom section. Place the section on sawhorses face down. (Fig. 7-A) Be sure to cover sawhorses with carpet or cloth so as not to scratch section.

Step 7-3: Bend and break apart bottom brackets by hand along end tabs as shown. (Fig. 7-B) **Be sure to remove connecting tab.**

Step 7-4: Insert safety tabs on bottom bracket into slots on end stile of door. Slide bottom bracket up to fully engage tabs. (Fig. 7-C) Attach all hardware with #14 x 5/8" sheet metal screws. Attach the bottom brackets with two screws to the bottom corners of the section. Screws go into the end stiles. Hook the looped ends of the steel lift cable over the buttons on the bottom brackets. (If your door came with standard extension springs, the lift cables are the longer and smaller diameter of the two sets of cable. If your door came with EZ-SET® Extension Springs, do NOT attach lift cables at this time! Do NOT use the shorter safety containment cables as lift cables, as this can cause improper door function). (Fig. 7-D)

⚠ WARNING

Failure to properly engage safety tabs on bottom bracket into slots on edge of door can result in severe injury when spring tension is applied.

Step 7-5: Hinges are identified by number 1, 2, 3 (and sometimes 4, on 5 section doors only). This number is stamped on the hinge. Attach a number 1 hinge at each center stile location along the top edge of the section using #14 x 5/8" sheet metal screws. The number is stamped on the side of the hinge that is to be attached to the section. (Fig. 7-E)

NOTE: If Table 7 shows a need for a reinforcing strut on the bottom section, it should be attached just above bottom brackets. Use 1/4" x 3/4" self-tapping screws to attach strut as shown in the illustration. When predrilled holes in strut do not line up vertically with stiles, you will be required to drill (2) 3/16" pilot holes through the strut and the stile at each end stile and each center stile, or use a drill or impact wrench with a 7/16" socket to drive self-tapping screws through strut and stile. (Fig. 7-E)

Table 7: Sections Requiring Struts

Door Width	Bottom Section	3rd Section	Top Section
15 and 16 ft.	–	–	✓
17 and 18 ft.	✓	✓	✓
Over 18 ft. 2 in. – One strut per section			

NOTE: Doors installed in high windload regions (Florida and other high wind-prone areas) may require additional reinforcement beyond what is detailed in these instructions. Please refer to supplemental windload instructions for these areas.

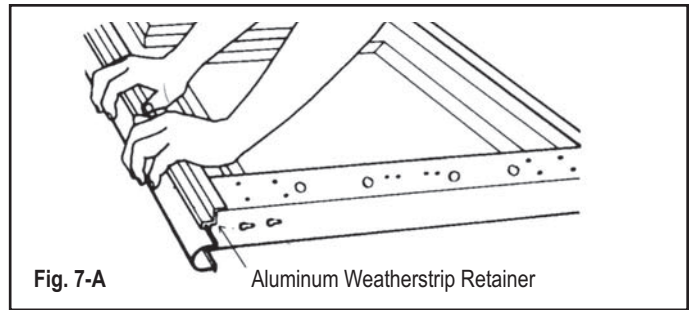


Fig. 7-A Aluminum Weatherstrip Retainer

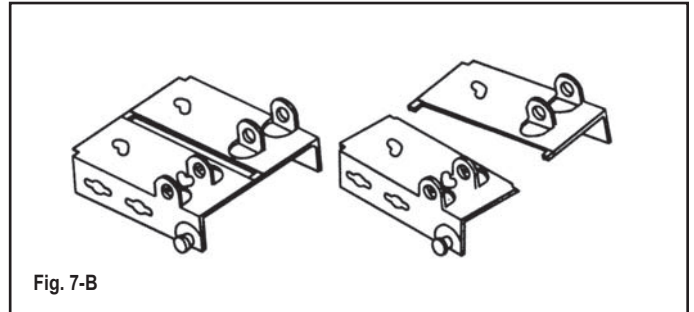


Fig. 7-B

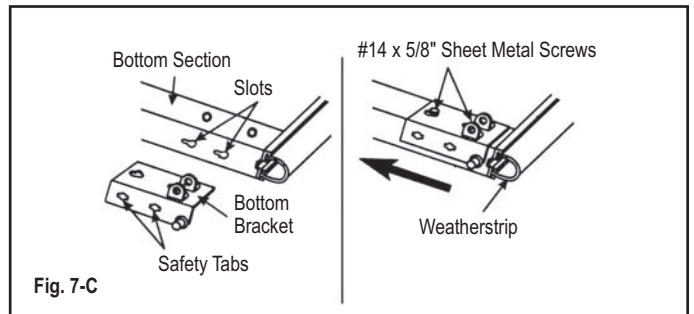


Fig. 7-C

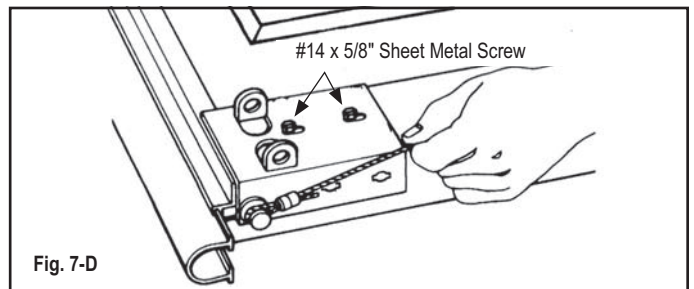


Fig. 7-D

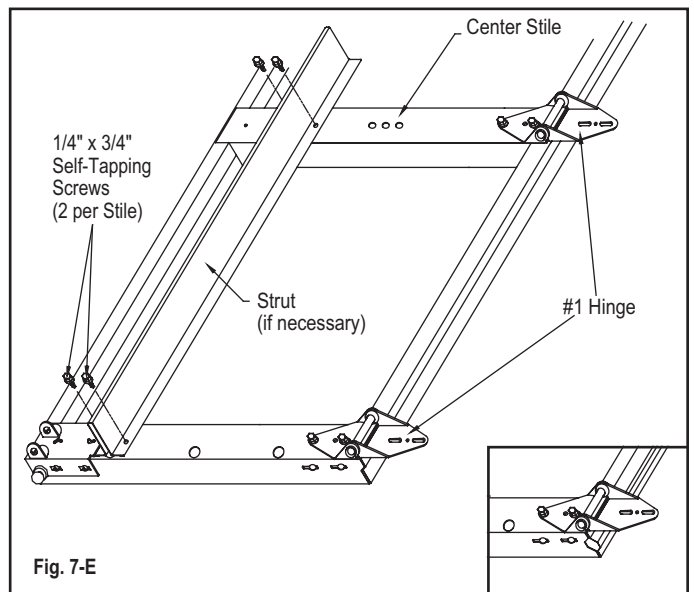


Fig. 7-E

STEP 8 – Lift Handle Attachment

Bottom Section

From the front of the door section, drill (2) 1/2" holes through the section according to the Bottom Section Hole Pattern. (Fig. 8-B) A T-square should be used to ensure that they are vertically in line. If your door has an outside keyed lock, the hole pattern should be drilled on the bottom section directly below the lock. If your door does not have an outside keyed lock, the hole pattern should be drilled directly below the hinge closest to the horizontal center of the door. Install the lift handle and inside step plate assembly using (2) #14 x 5/8" sheet metal screws. (Fig. 8-A)

IMPORTANT: Use a wrench or a socket to drive screws. Do not overtighten. Do not use an electric drill or driver.

Second section (to be installed at the completion of Step 9-4. Not required on doors with outside keyed lock).

From the front of the door section, drill (2) 1/2" holes through the section according to the 2nd Section Hole Pattern. (Fig. 8-B). A T-square should be used to ensure that they are vertically in line. The hole pattern should be drilled directly above the hinge closest to the horizontal center of the door. Install the lift handle / inside step plate assembly using (2) #14 x 5/8" sheet metal screws. (Fig. 8-A)

Painting Lift Handles

Plastic lift handles can be painted using a good quality spray-on or brushed-on enamel paint.

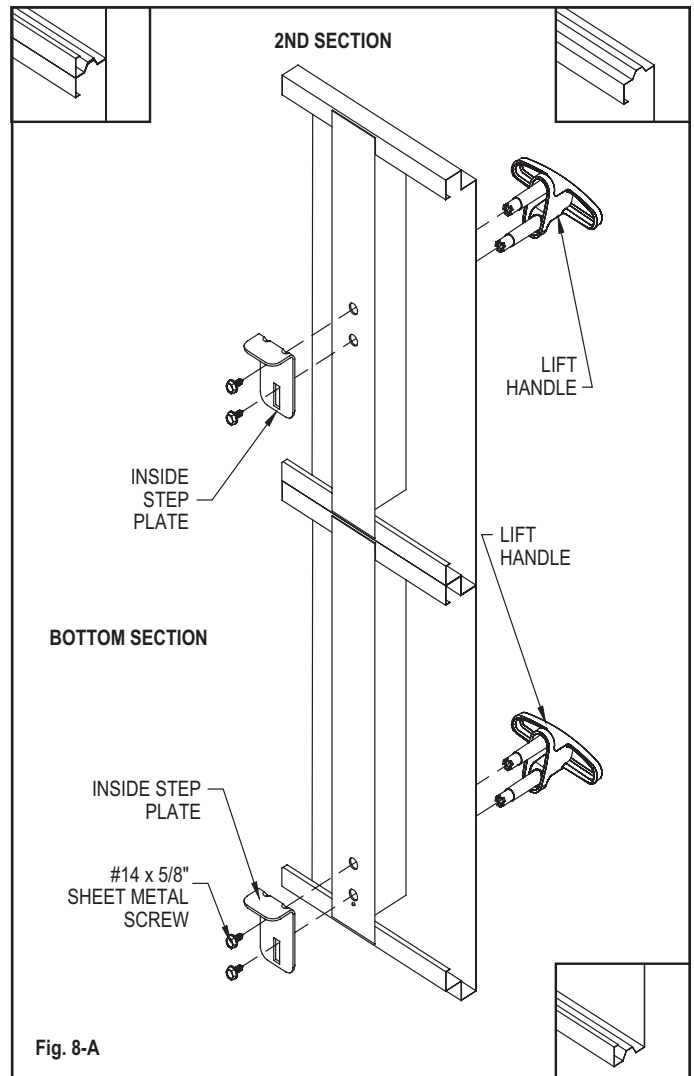


Fig. 8-A

DO NOT USE THE PRESTAMPED HINGE HOLES FOR LIFT HANDLE PLACEMENT – MEASURE PER THE DRILLING PATTERN BELOW.

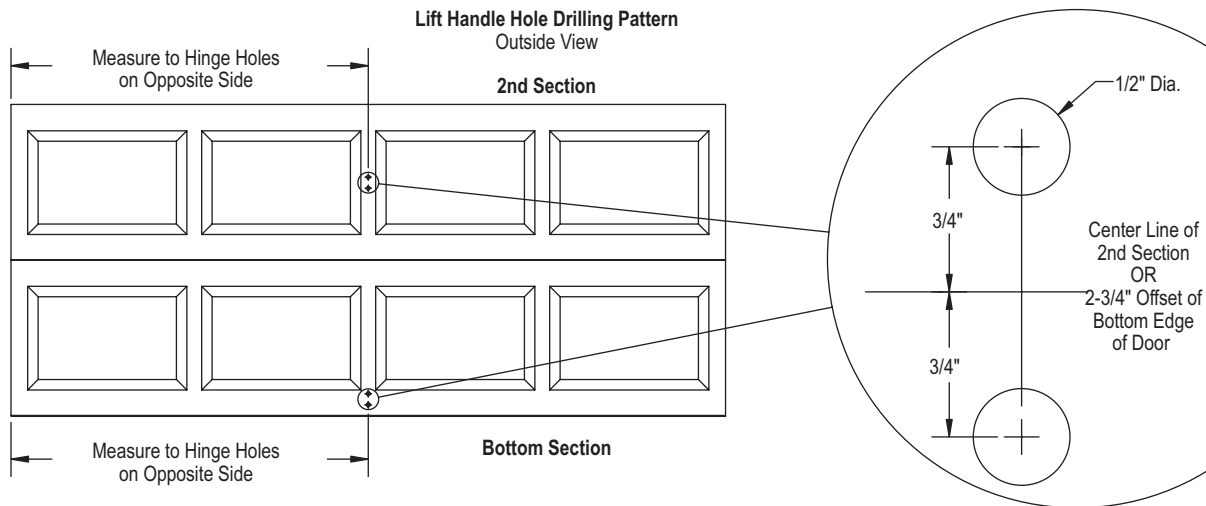


Fig. 8-B

STEP 9 – Installing Door Sections

Step 9-1: Place the section in the opening so that it is against the stop molding and centered from side to side. Place a level on the section and use a piece of wood under one end or the other (if necessary) to make the section level. (Fig. 9-A)

Step 9-2: Remove the level and drive a 3" nail in the jambs at each end and bend it over the edge of the section to hold the section in place. (Fig. 9-B)

NOTE: These nails are all that will hold the stacked door section in place until the tracks are secured to the back jambs. Be sure the nails hold the sections firmly in position.

Step 9-3: With Table 9 below, determine the order in which you will attach the remaining sections.

NOTE: If a lock assembly was ordered with the door, the holes for the lock may be predrilled. (Lock templates are included in the lock instructions for doors without predrilled holes.)

Table 9: Section Order for Various Door Heights

Door Height	1st (Bottom) Section	2nd (Lock) Section	3rd Section*	4th Section	5th Section
6'0"	18"	18"	18"	18"	–
6'3"	18"	18"	18"	21"	–
6'6"	21"	18"	18"	21"	–
6'9"	21"	21"	18"	21"	–
7'0"	21"	21"	21"	21"	–
7'6"	18"	18"	18"	18"	18"
7'9"	18"	18"	18"	18"	21"
8'0"	21"	18"	18"	18"	21"

* Section with general safety label.

Step 9-4: Place the next section face down on the sawhorses. If your door is predrilled for a lock, this section will be the one with holes in the center of the panel face. Identify the bottom edge as shown in the illustration. (Fig. 9-C)

Attach a number 2 hinge to each end at the top edge using #14 x 5/8" sheet metal screws. Remember that the number is stamped on the side of the hinge that is to be attached to the section. Attach a number 1 hinge to each center stile location along the top edge of the section.

Step 9-5: Keyed Lock Installation. If you wish to install a keyed lock, begin the lock installation now according to the supplemental instructions included with the lock hardware. If your door did not come with a keyed lock, install lift handle as shown on previous page.

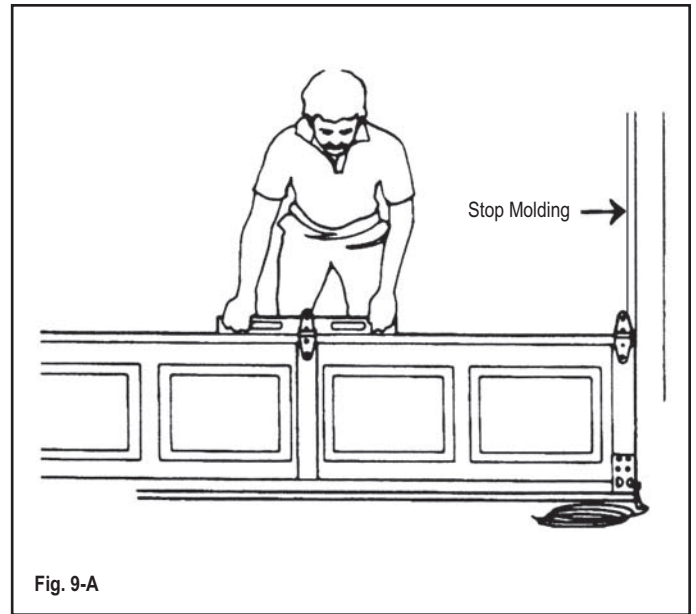


Fig. 9-A

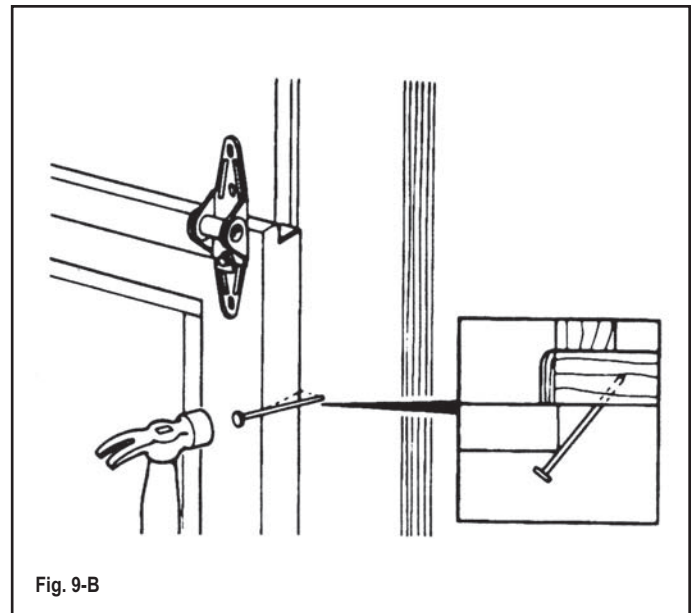


Fig. 9-B

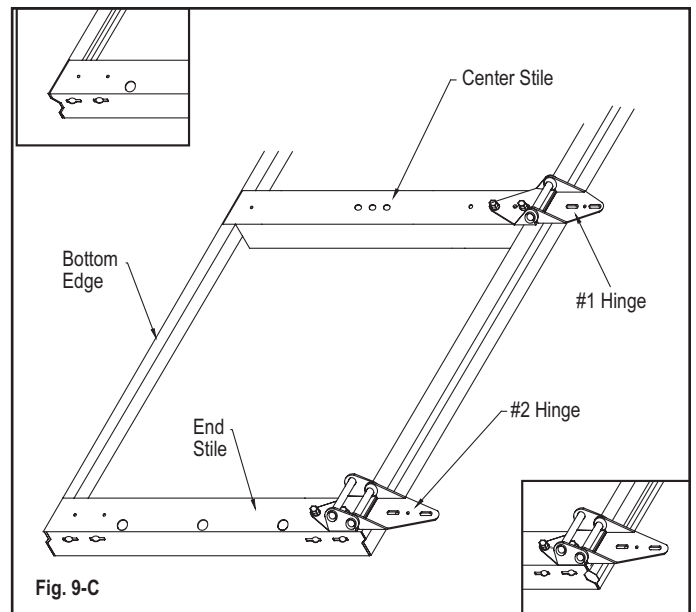


Fig. 9-C

STEP 9 – Installing Door Sections (Continued)

Step 9-6: Place the second section on top of the first section. Drive a 3" nail in the jambs at each end and bend it over the edges of the section to hold the section in place. Attach the hinges from the top of the first section to the bottom of the second. (Fig. 9-D)

Step 9-7: Place the third section on sawhorses. Attach #3 hinges to the ends at the top edge and #1 hinges to all other stiles along the top edge using #14 x 5/8" sheet metal screws. (Fig. 9-E)

NOTE: If your door was supplied with more than 1 strut (consult Table 7 on page 10), use 1/4" x 3/4" self-tapping screws to attach strut as shown in the illustration. When predrilled holes in strut do not line up vertically with stiles, you will be required to drill (2) 3/16" pilot holes through the strut and the stile at each end stile and each center stile, or use a drill or impact wrench with a 7/16" socket to drive self-tapping screws through strut and stile. (Fig. 9-E)

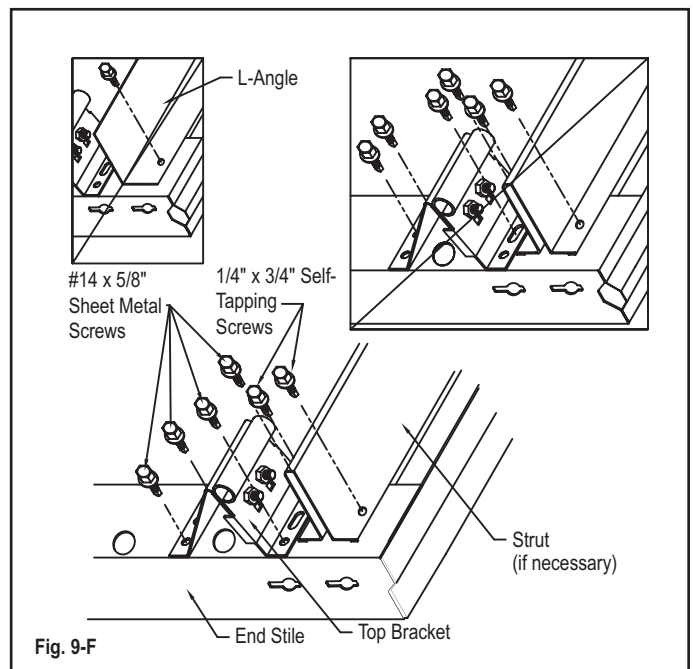
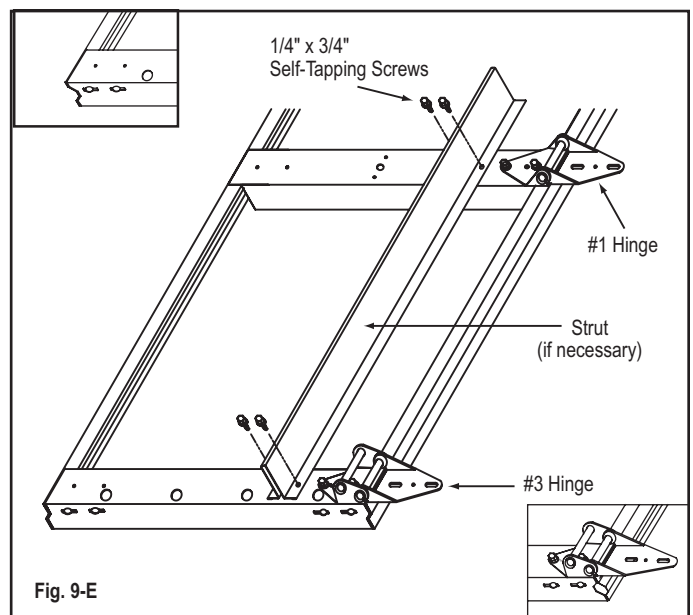
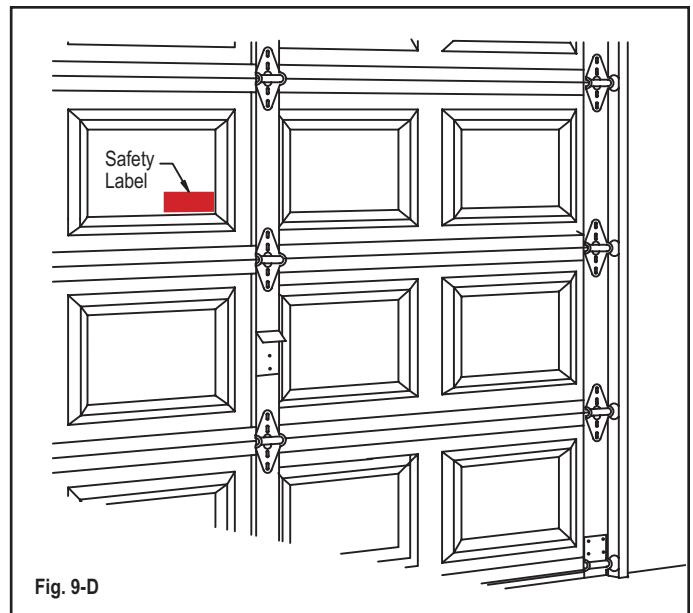
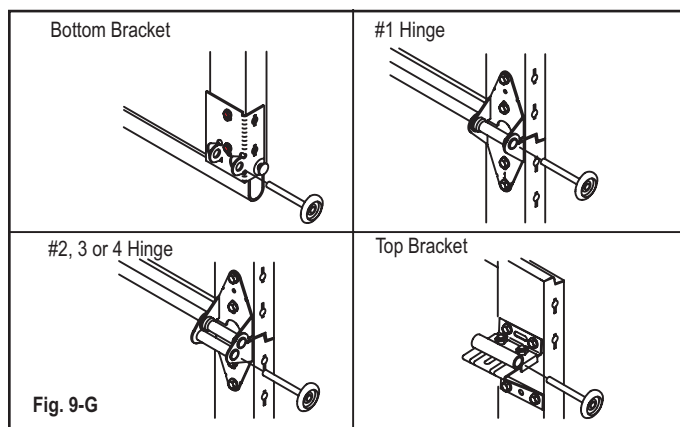
Step 9-8: Place the third section on top of the other sections and nail in place as before. Attach the hinges from the top of the previous section to the bottom of this section. (Fig. 9-D)

If you have two sections left, repeat Steps 9-7 and 9-8 using #4 hinges on the end of the top edge and #1 hinges to all other stiles along the top edge.

Step 9-9: Place the last section on the sawhorses. Attach the top roller brackets as shown. The top roller brackets are to be attached with three (insulated doors) or four (non-insulated doors) #14 x 5/8" sheet metal screws. The top of the bracket should be located 3-1/4" down from the top of the door. The bottom of the bracket goes in smaller holes 6-1/4" from top of section. (Fig. 9-F)

If your door was supplied with any struts (consult Table 7 on bottom of page 10), use 1/4" x 3/4" self-tapping screws to attach strut as shown in the illustration. When predrilled holes in strut do not line up vertically with stiles, you will be required to drill (2) 3/16" pilot holes through the strut and the stile at each end stile and each center stile, or use a drill or impact wrench with a 7/16" socket to drive self-tapping screws through strut and stile. (Fig. 9-F)

Step 9-10: Place a roller in the top and bottom brackets and in the tubes in each of the hinges at the ends of each section. Some hinges have two tubes. Place the roller in the tube that is farthest from the face of the door. (Fig 9-G)

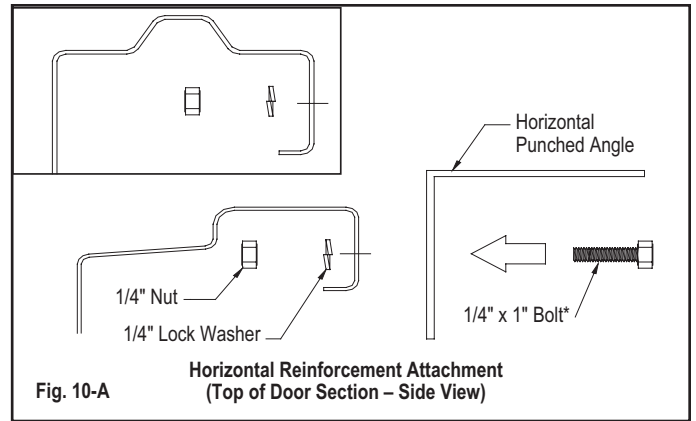


STEP 10 – Reinforcing the Top Section for Opener

To avoid damage to your door, you must reinforce the top section of the door in order to provide a mounting point for the opener to be attached. You will need one (1), two (2) or three (3) pieces of 1-1/4" x 1-1/4" minimum punched angle at least 13 gauge or 3/32" thick from your local hardware or building supply store. Figures 10-B to 10-E show how punched angle is to be affixed to door.

Horizontal Angle Attachment

Attach the horizontal punched angle (the longer piece) to the top section as shown in Figure 10-A. Angle iron may need to be trimmed depending on door section height and distance between center stiles. Some doors with struts may not need a horizontal angle; see Figures 10-B to 10-E to identify the attachment method for your specific door.

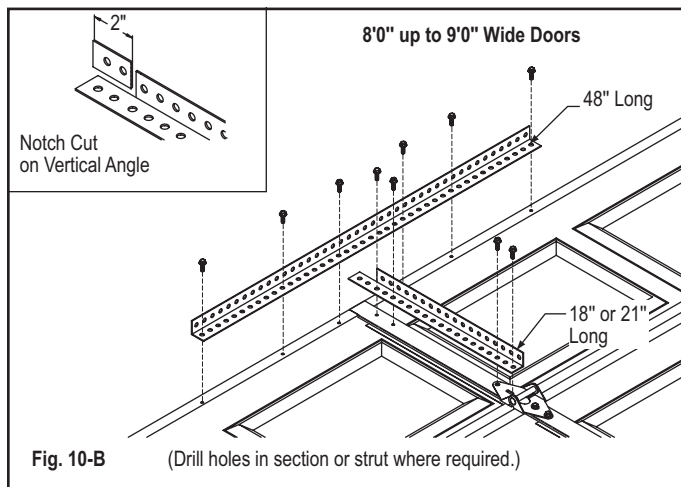


*Fully insulated doors use 1/4" x 3/4" self-tapping screw.

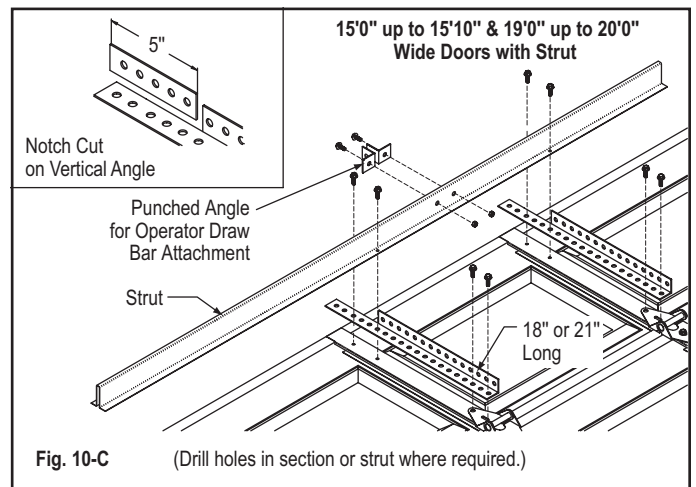
NOTE: An opener bracket kit specifically designed for opener attachment may be purchased as an option (silver galvanized or white powder coated). Instructions are provided with the kit.

NOTE: Operator may be attached up to 2 feet off center. (Doors with torsion springs only)

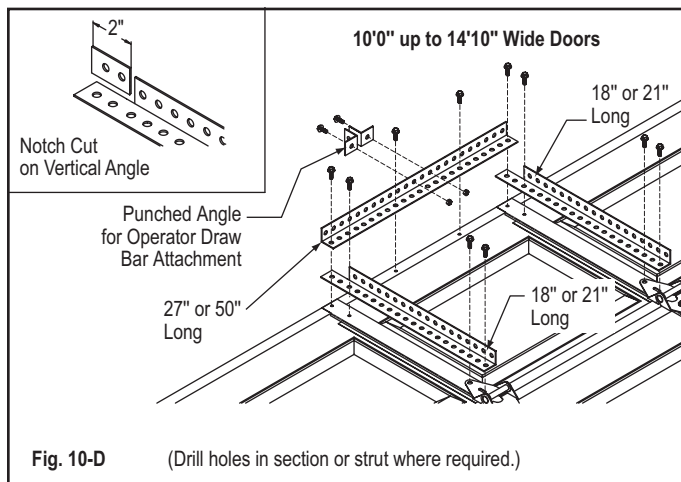
Do NOT install the bracket supplied with the opener. Failure to reinforce the door, as illustrated, will void your warranty.



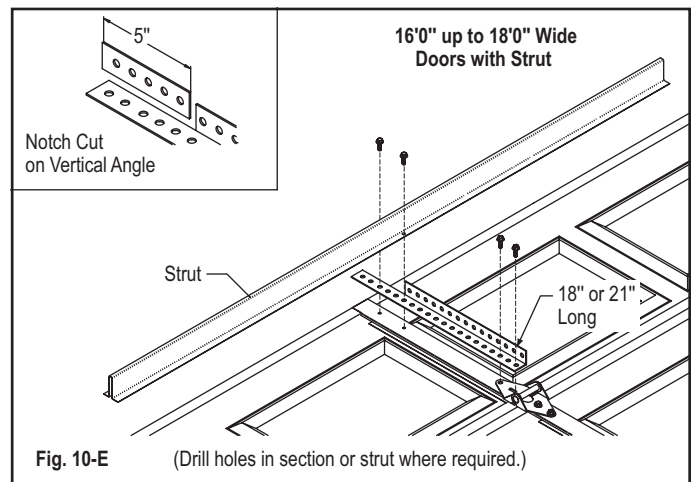
Required materials:
 (1) 18" or 21" and (1) 48" length of angle iron,
 (6) 1/4" x 1" bolts, (6) 1/4" lock washers, (6) 1/4" nuts, and
 (4) #14 x 5/8" sheet metal screws.



Required materials:
 (2) 18" or 21" lengths of angle iron,
 (2) 1/4" x 1" bolts, (2) 1/4" lock washers, (2) 1/4" nuts,
 (4) #14 x 5/8" sheet metal screws, and
 (4) 1/4" x 3/4" self-tapping screws.



Required materials:
 (2) 18" or 21" and (1) 27" or 50" length of angle iron,
 (4) 1/4" x 1" bolts, (4) 1/4" lock washers, (4) 1/4" nuts, and
 (8) #14 x 5/8" sheet metal screws.



Required materials:
 (1) 18" or 21" length of angle iron,
 (2) #14 x 5/8" sheet metal screws, and
 (2) 1/4" x 3/4" self-tapping screws.

STEP 11 – Assembling and Installing the Track

Before assembling brackets to vertical track, be sure to read Step 11-1 and Step 11-2. Refer to illustration for placement of brackets on track.

NOTE: Brackets may already be riveted in place. If additional adjustment is required, the rivets can be drilled out and the brackets can be reattached with track bolts and flange nuts (available through the toll-free Consumer Services number, see outside cover).

WARNING

To avoid installation problems that could result in injury or property damage, use only track provided with new door.

Step 11-1: Loosely fasten the track brackets to the vertical track using one 1/4" x 5/8" track bolt and 1/4" flange nut as shown with the head of the bolt inside the track. There are two sizes of brackets for 7' high doors, and three sizes for 8' high doors. The shortest track brackets should be installed ten inches from the bottom of the track with the flange facing the flat side of the track, one on the left and one on the right. The next larger sized pair of brackets should be installed centered on the track. If you have an 8' high door, the remaining pair of brackets should be installed ten inches from the top of the vertical track. The flat side of the track goes toward the wall. (Fig. 11-A)

Step 11-2: Loosely attach the flag bracket to the top of the track with two 1/4" x 5/8" track bolts and 1/4" flange nuts with the head of the bolts in the track. Make sure bolts and nuts are attached through the proper holes in flag bracket for your door thickness. (Fig. 11-C)

(Refer to Fig. 11-B to determine proper bolt placement.)

NOTE: If additional adjustment is required, horizontal slots in flag brackets can be used for attachment to vertical track.

Step 11-3: Place the track over the rollers on the door. Move the track close to the door so that the rollers are all the way into the hinges. Do not force the track too tightly or the door will bind. This should leave about 1/2" between the edge of the door and the track. Pilot holes of 3/16" are required at each lag screw location before installing the lag screw. Lift track about 1/2" from the floor and fasten the flag bracket and track brackets to the jamb with 5/16" x 1-5/8" lag screws. The flag bracket requires three screws, one each in the top, middle and bottom holes. Do this for both sides of the door. When the track brackets and flag brackets are securely fastened to the jamb, tighten the track bolts and flange nuts connecting the flag brackets to the tracks. (Fig. 11-D)

NOTE: The tops of the vertical tracks must be level with each other. Check this by measuring from the top of the door sections to the top of the track on both sides. If they are not equal, cut some material off the bottom of one track to lower it or raise the other track.

Do not raise the vertical track beyond the bottom rollers on the bottom section of door.

NOTE: Do not attach any brackets directly to drywall. All track brackets, flag brackets and spring brackets should be attached directly only to wood bucks.

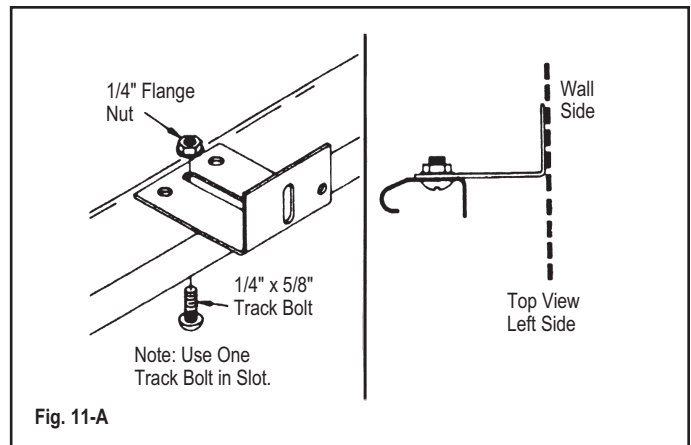


Fig. 11-A

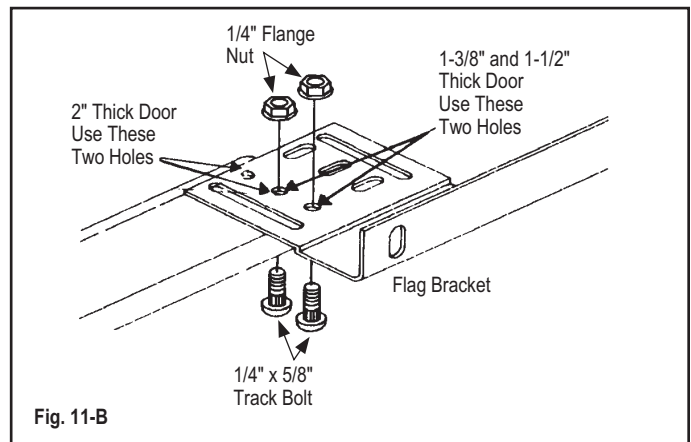


Fig. 11-B

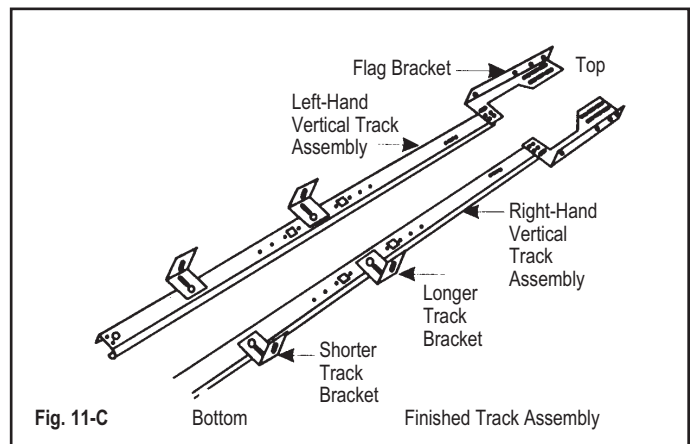


Fig. 11-C

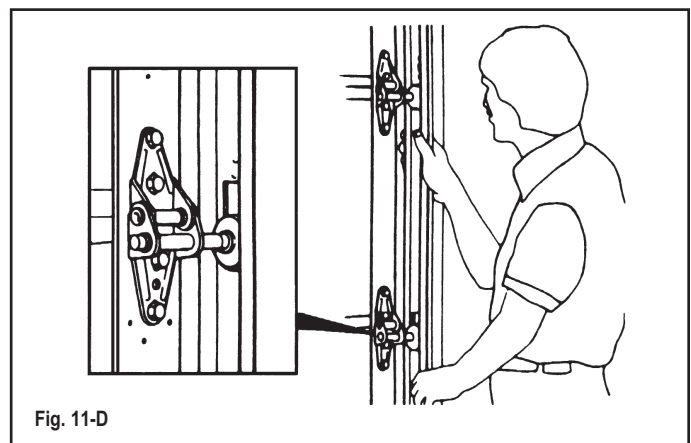


Fig. 11-D

STEP 11 – Assembling and Installing the Track (Continued)

NOTE: Pressure-treated lumber purchased after January 2004 is treated with chemicals that have highly corrosive effects on metal fasteners. The fasteners provided with your door are intended for use with standard lumber (not pressure-treated) only. If you are installing your door into an opening framed with pressure-treated lumber, it is highly recommended that 5/16" x 1-5/8" lag screws with a minimum galvanization equivalent of G185 be purchased for this application.

Step 11-4: Fasten the horizontal angle to the horizontal (curved) track with two 1/4" x 5/8" track bolts and 1/4" flange nuts so that the heads of the track bolts are on the inside of the track. On some doors this angle may be 82" long and will require three additional fasteners per side. If the angle has been preassembled, skip Step 11-4 and proceed with Step 11-5. (Fig. 11-E)

Step 11-5: Temporarily support the rear end of the track with a rope from the trusses overhead in the garage or on a tall ladder. (Fig. 11-F)

Step 11-6: Place the track over the roller in the top bracket. Attach the curved end of the horizontal track to the flag bracket with two 1/4" x 5/8" track bolts and 1/4" flange nuts so that the heads of the screws are on the inside of the track. The horizontal and vertical track must join together to form a continuous channel for the rollers. Attach the end of the horizontal angle to the top of the flag bracket with a 3/8" x 3/4" carriage bolt and 3/8" hex nut. Use the top set of slots for 15" radius track, the middle set of slots for 12" radius track, and the bottom set of slots for low headroom track. (Fig. 11-G)

Step 11-7: Rear track hangers need to be made at this time. Use 1-1/4" x 1-1/4" punched angle, 13 gauge or 3/32" steel. These are not provided with the standard hardware. They are used to attach the rear of the horizontal track to the ceiling joist.

Enough angle iron or punched angle should be purchased to make two rear track hangers. These hangers must be strong enough to hold the full weight of the door. Attach a bolt at least 1" long through the end of each track to stop the door at the end of its travel. (Fig. 11-H)

⚠ WARNING

Sway braces must be used to prevent tracks from spreading and allowing door to fall, which could cause serious injury. Bolts placed in the end of each track (Fig. 11-H) must be at least 1" long to prevent the top section from exiting the track.

NOTE: Rear track hangers should not be mounted any farther than 6" from the end of horizontal track.

Step 11-8: Placement of rear track hangers is critical for the door to operate properly. The rear track hangers should hold the horizontal track level and square to the door. Squareness should be measured by comparing two diagonal distances: 1) the distance from the top left-hand corner of the door to the rear of the right-hand horizontal track and 2) the distance from the top right-hand corner of the door to the rear of the left-hand horizontal track. (Fig. 11-I, opposite page)

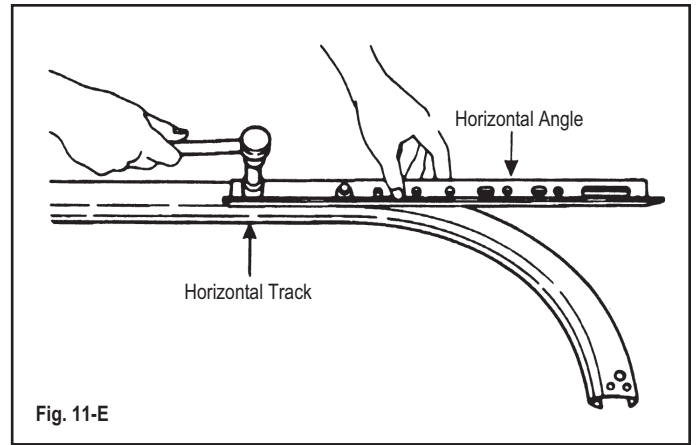


Fig. 11-E

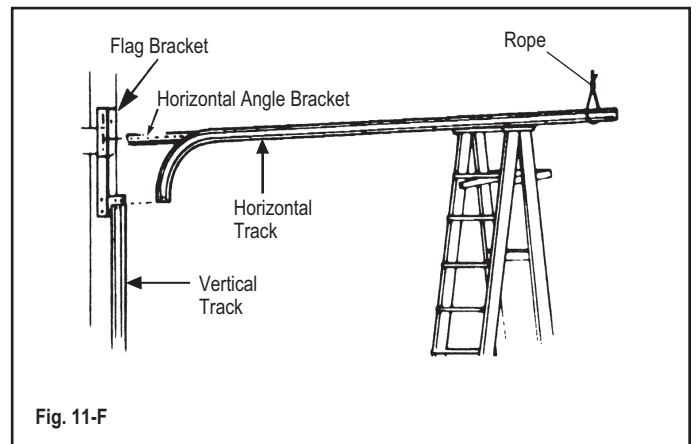


Fig. 11-F

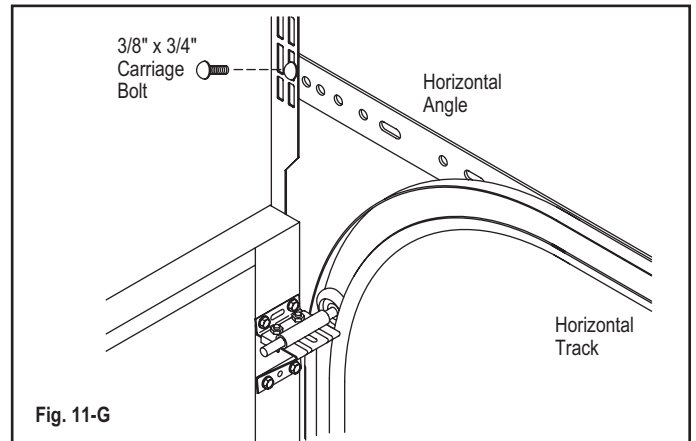


Fig. 11-G

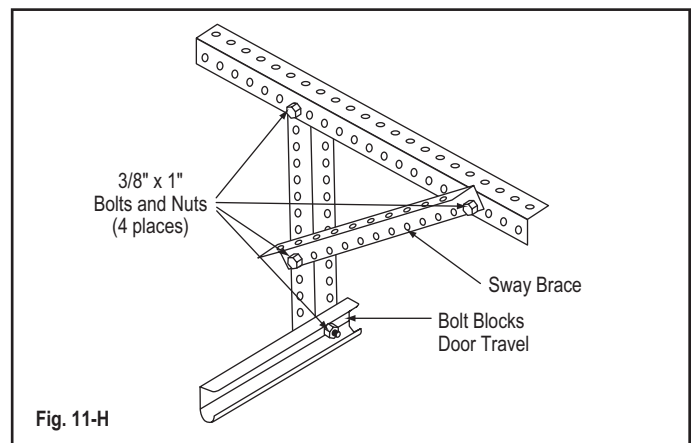


Fig. 11-H

Step 11- 8, Continued: Adjust the position of the tracks if the squareness distances are not within 1/2" of each other. Horizontal track can be out of level up to 1" from front jamb to rear track hanger. (Fig. 11-I)

When the track is square and level with the opening, the track hangers can be fastened permanently to the ceiling trusses. Three 5/16" x 1-1/2" lag screws are recommended. Be sure 3/16" pilot holes are drilled before installing 5/16" lag screws. The attachment must be strong enough to hold the weight of the door.

⚠ WARNING

Use adequate length screws to fasten rear track hangers into trusses. Door may fall and cause serious injury if not properly secured.

Step 11- 9: With the track installed, the top door section can now be properly adjusted. With the slide on the top bracket loose, force the top of the door against the stop molding or door jamb. Pull the roller toward you so it is tight against the groove in the track and tighten the slide bolts. (Fig. 11-J)

At this time, remove the 3" nails that were used to hold sections in place prior to installation of the track assembly. (Refer back to Fig. 9-B.)

STEP 12 – Lock Installation (If Included) **Keyed Lock:**

If your door has an exterior keyed lock, please complete the installation of the lock at this time following the instructions provided with your lock hardware. If your door has a slide bolt lock, install according to the instructions below.

Slide Bolt:

The inside slide bolt is installed on the end stile of the second section using (4) #14 x 5/8" hex head sheet metal screws (steel doors) or (4) 1/4" x 1" lag screws (wood doors). (Fig. 12-A)

NOTE: 3/16" holes may have to be predrilled before installing the screws.

The slide bolt rests against the top of one of the rectangular engaging slots in the vertical track. Proper alignment is easier to achieve by using track as a guide.

NOTE: It may be necessary to knock out the slug in the vertical track to open the slot for lock engagement. Remove slug by striking with a hammer from the outside of the track.

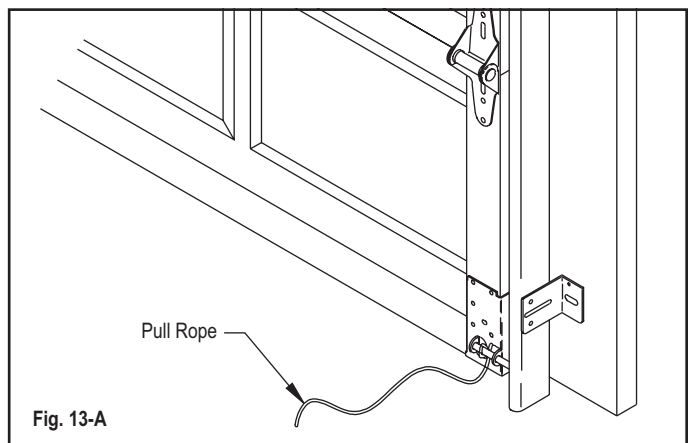
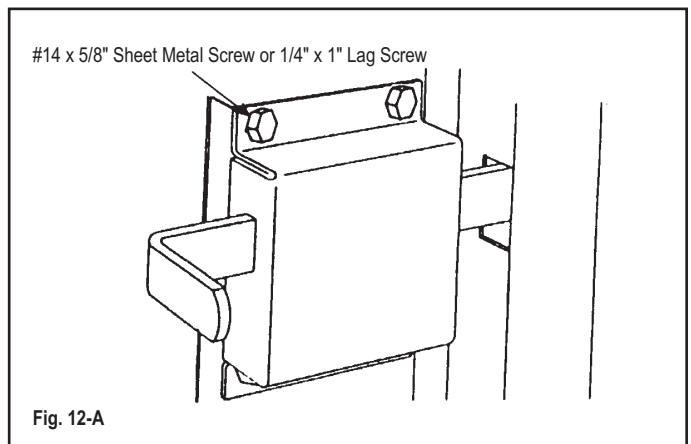
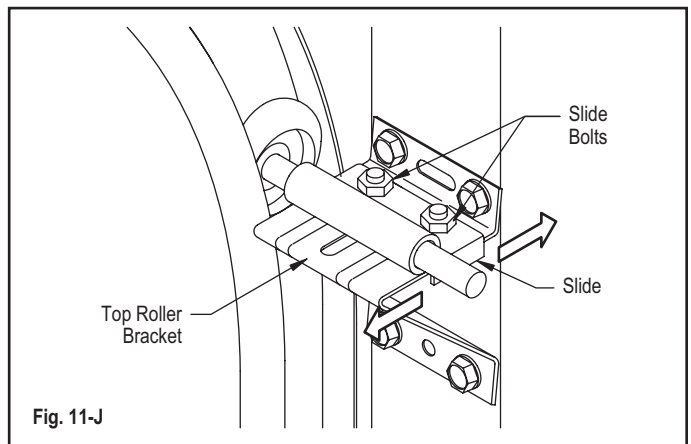
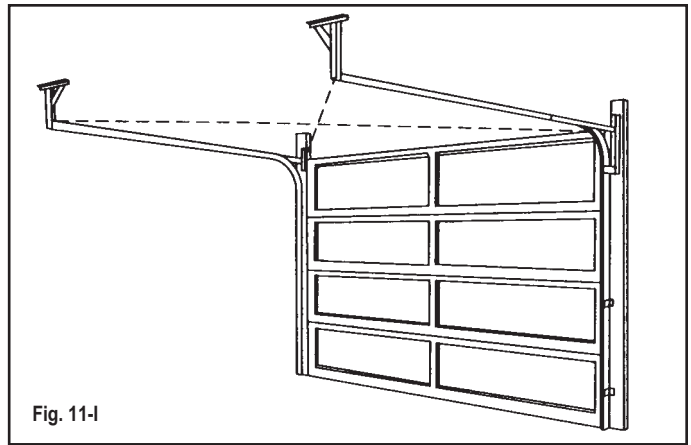
IMPORTANT: If your door is going to be equipped with an automatic garage door opener, make sure that the door is always unlocked when the opener is being used. This will avoid damage to the door.

STEP 13 – Pull Rope (Manually Operated Doors Only)

To complete the door section installation, tie the pull rope provided to the bottom roller shaft. (Fig. 13-A)

STEP 14 – Spring Installation

It is now time to install the spring. Proceed to springing instructions that came with your spring hardware.



STEP 15 – Attaching an Automatic Opener

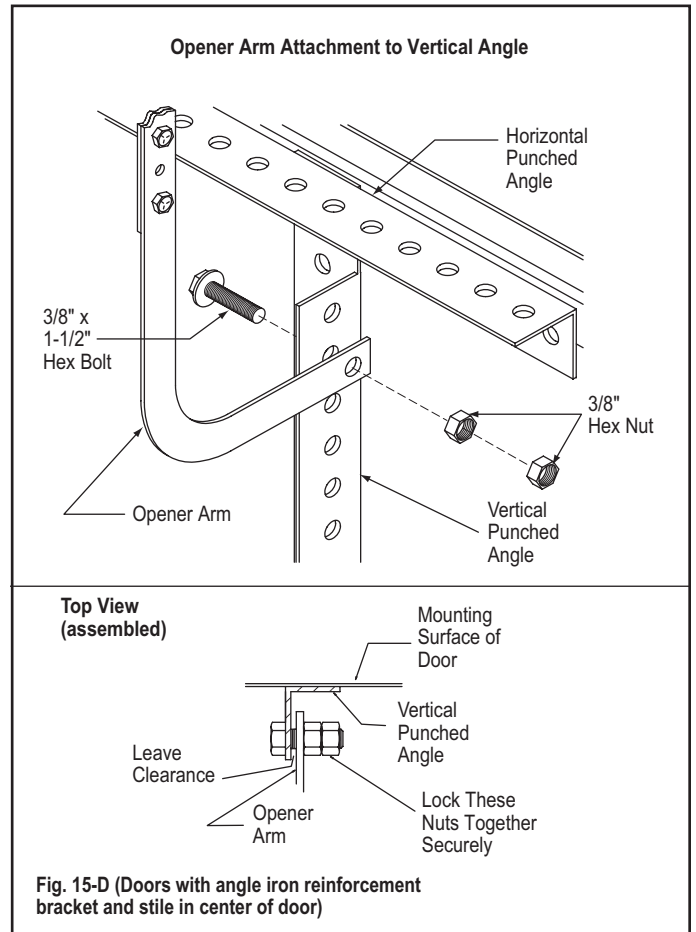
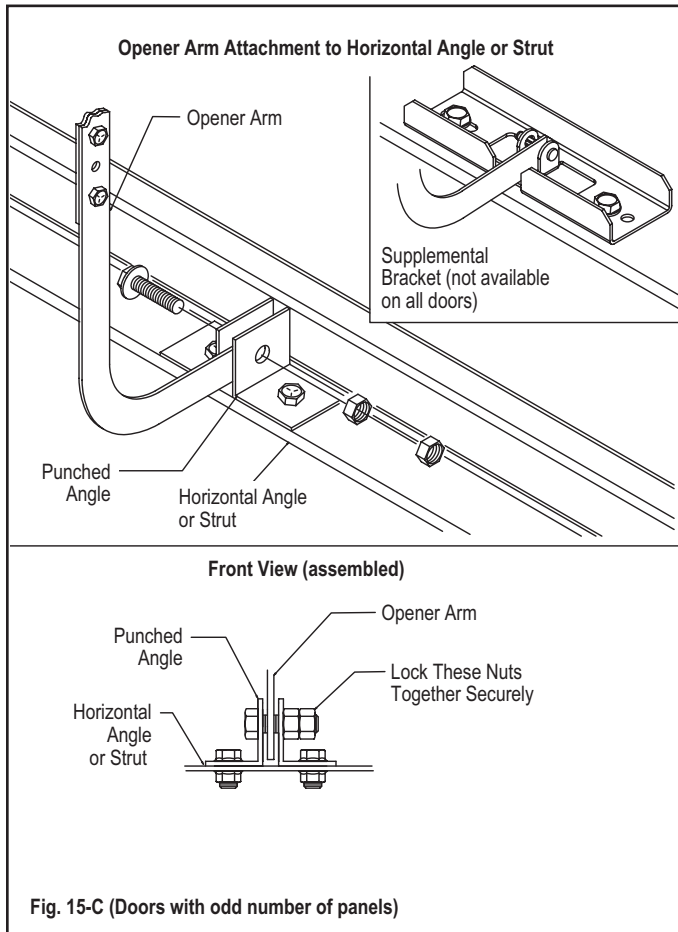
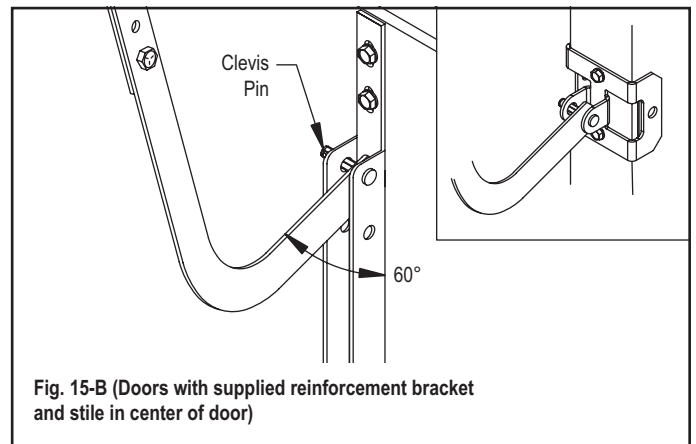
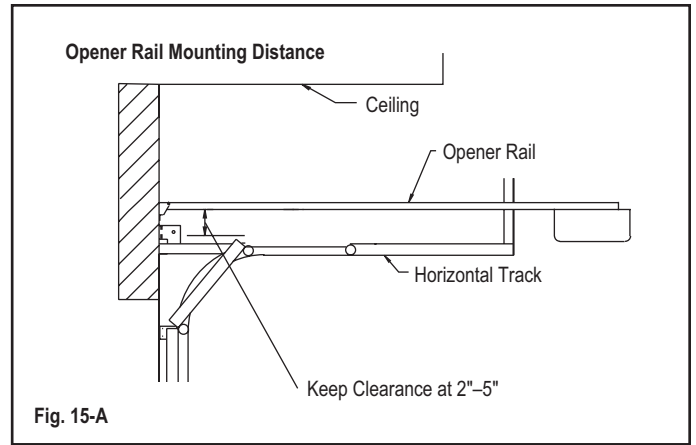
IMPORTANT: To avoid damage to your door, you must reinforce the top section of the door in order to provide a mounting point for the opener to be attached. Refer to the section of this manual titled Reinforcing the Top Section on page 14 for specific instructions. Failure to reinforce the door as illustrated will void the warranty on your door.

WARNING

To avoid risk of strangulation or personal injury to children, if your door has a pull rope, you must remove the pull rope when you install an automatic garage door opener.

IMPORTANT: When installing an automatic garage door operator, make sure to follow manufacturer's installation and safety instructions carefully. **Remove the pull rope and unlock or remove the lock.** If attaching an operator bracket to the wooden anchor pad, make sure the wood anchor pad is free of cracks and splits and is firmly attached to the wall. Always drill pilot holes before attaching lag screws.

The operator arm will usually be attached to the vertical reinforcement member at roughly the same height as the top roller of the door. Attach the opener arm to the reinforcement as shown in Figures 15-B through 15-D. To prevent the top of the door from bending, the opener rail should be mounted no less than 2" and no greater than 5" from the face of the door with the door in the open position. (Fig. 15-A) Additionally, when the door is closed, the portion of the operator arm attached to the door should be at angle of approximately 60 degrees from the vertical. (Fig. 15-B)



Painting Your Door

Painting: Your steel garage door can be painted with a high quality 100% acrylic latex (flat, satin or semigloss) exterior grade paint. Before painting the door it must be free of dirt, oil, caulk, waxes and mildew.

Do not use any type of oil-based paint or alkyd modified paint. These paints will void the warranty of your door. We recommend using solar reflective paint when available.

If your door is a Coachman® Collection, Custom Crafted Steel, or Settlers® Collection product: You must check the Light Reflectance Value (LRV) of the paint color. If the desired color has an LRV less than 38, only a pre-approved solar reflective paint can be used. For a list of pre-approved paints, call the consumer hotline at 800-225-6729 or visit info.garagedoors.com/lrv.

Painting preparation: Clean surface first with a diluted solution of Trisodium Phosphate. The recommended concentration is 1/3 cup of powder to 1-1/2 to 2 gallons of water. A cleaning pad (3M synthetic steel wool GRAY not green) should be used saturated with this cleaning solution. Rub with even pressure to lightly scuff the surface while applying the cleaning solution over all surfaces to be painted. A final wipe and rinse with clean water and sponge should be done to remove any loose material. Change water often to ensure clean rinse and allow to dry. Pretest your paint on a small area (see paragraph **Paint** below). If the paint shows signs of poor adherence (tape test below), there may be a problem with the paint or the surface preparation. **DO NOT PROCEED!** A new paint or further preparation of the surface is called for.

Alternative cleaning compounds: Areas of the country that do not carry Trisodium Phosphate can use a biodegradable cleaner with the cleaning pad above. Follow above directions to rinse completely and pretest paint.

NOTE: Sanding could remove rust-inhibiting compounds; therefore, sanding should be done only to damaged areas where bare metal has been exposed. Refer to the "Paint repair" section of these instructions.

Paint repair: Should your door's paint finish become damaged, exposing the bare metal, it will become necessary to repair this area to prevent rust from forming. The damaged area should be lightly sanded with a medium to fine sandpaper, making sure to remove all visible red and white rust. Wipe this area with a dry, clean rag. Coat the sanded area with a high quality, rust inhibiting, zinc enriched primer. This type of primer can be found at most paint or hardware stores and should be labeled for covering bare and galvanized steel. Once the primer is applied, wait the time specified on the primer's instructions before you finish painting your door.

Paint: Your steel garage door can be painted with a high quality, 100% acrylic latex (flat, satin or semigloss) exterior grade paint. Since all paints are not created equal, the following test needs to be performed: paint should be applied on a small area of the door (following the instructions on the paint container), allowed to dry, and evaluated prior to painting the entire door. Paint defects to look for are blistering and peeling. An additional test is to apply a strip of masking tape over the painted area and peel back, checking to see that the paint adheres to the door and not to the tape.

After satisfactorily testing a paint, follow the directions on the container and apply to the door. Be sure to allow adequate drying time should you wish to apply a second coat.

Window frames and inserts can be painted with a high quality, 100% acrylic latex. The plastic should first be lightly sanded to remove any surface gloss.

NOTE: Do not apply paint when door surface temperature is different from manufacturer's suggested temperature range for application.

Snap-In Decorative Insert Removal and Replacement:

NOTE: DO NOT REMOVE SCREWS from the window frame. Decorative inserts are designed to snap in and out of the window frame.

Some doors with windows have a decorative insert attached behind the window. They may be moved to the outside of the glass, or can be removed for cleaning or painting purposes.

- 1) Remove the four tabs of the insert from under the edge of the inside window frame. There is one tab on each side and one on the top and bottom of the insert.
- 2) The insert can be firmly pulled out of the window.
- 3) Replacing the insert is the reversal of the process described for removal. The four tabs must be pressed under the lip in the window frame.
- 4) If preferred, the insert can be snapped into the frame on the outside of the glass.

Glass Replacement

⚠ WARNING

To avoid injury, use extreme caution in handling glass window pane. When the frame is removed, the exposed steel edge of the door may be sharp. Avoid contact with the steel edges.

Glass replacement: If your door is equipped with windows and the glass should need replacement, follow the steps below:

- 1) With someone holding the outside frame, remove the screws from the inside window frame.
- 2) Pull the inside frame out of the door.
- 3) Carefully remove the broken or old glass.
- 4) Insert the new glass. The glass should be 11" by 18-1/2" (standard panel windows) or 10-7/8" x 39-3/8" (long panel windows).
- 5) With someone holding the outside frame, reinsert the screws into the inside frame, trapping the glass.

Annual Maintenance

- 1) Lubricate all moving parts of the door with light household oil, including:
 - a) Lift cables at the bottom bracket button
 - b) Bearing of the sheaves
 - c) Lock hardware where surfaces turn or slide
 - d) Full length of torsion spring to reduce friction between coils
 - e) Lubricate steel rollers. **DO NOT** lubricate nylon rollers.
- 2) Check for loose or bent hinges.
 - a) Tighten loose hinges.
 - b) Straighten or replace bent hinges.

Annual Maintenance (Continued)

Caution: To replace bent hinge(s) or broken roller(s):

Door must be locked and in the down position.

No more than 1 hinge is to be removed from the door at any given time.

Under no circumstances should you loosen or remove the bottom bracket without disengaging the spring tension. (Follow instructions for removing extension springs.)

- 3) Check roller for broken wheels, bent shafts or worn-out bearings.
- 4) Check the door and track supports for loose or missing bolts, screws, etc. Be careful not to overtighten.
- 5) Check the extension cables. Are they running properly in the sheaves? Check for wear of the cable at the bottom bracket button.
- 6) Check for bent track. If bent, call an authorized professional dealer.
- 7) Extension spring hardware, including springs, cables, sheaves, sheave forks, bottom brackets and containment cables, should be adjusted or repaired only when the spring tension is released (the door must be open). These repairs should be made by a qualified door technician or a mechanically experienced person with proper tools and instructions.
- 8) If your door has torsion springs, the spring assembly and wood anchor pad should be adjusted or repaired only by a professional door technician.

Cleaning the Door

Cleaning of the door must be done periodically in order to:

- Prevent damage (rusting) caused by foreign matter adhering to the door and
- Generally restore the look of the factory-applied finish by removing dirt and chalking.

Doors should be cleaned at least twice a year or four times a year in harsh environments (coastal regions, high road salts, etc.). Working from the bottom to the top of the door sections, use a well soaked cloth, sponge, soft bristle brush, or low pressure garden sprayer with either of the following solutions:

- One cup of Simple Green® or other non-toxic biodegradable cleaner (less than 0.5% phosphate) into two gallons of warm water, or
- One cup of household ammonia dissolved into five gallons of room temperature water.

NEVER BLEND CLEANERS OR AMMONIA WITH BLEACH.
Do not use scouring powders or solvents.

* Registered Trademarks of Proctor & Gamble

** Registered Trademark of Colgate Palmolive

NOTE: Be sure to clean behind stop molding on the sides and top of the door.

Rinse door with clean water to complete cleaning.

After cleaning use a liquid car wax (not paste) to preserve the door's finish between cleanings. This is especially important in coastal and harsh environments.

Glass, Plexiglas, Leaded, Brilliance® Series Windows Cleaning and Care Instructions

Clean with a mild solution of a dishwashing detergent and a soft cloth. After cleaning, rinse thoroughly. DO NOT use any ammoniated, abrasive or solvent-based cleaners of any kind.

Large Missile Impact Windows: Wash using a mild soap or detergent (see list of approved cleaning products below) and lukewarm water, using a clean sponge or a soft cloth. Rinse well with clean water. Dry thoroughly with a chamois or moist cellulose sponge to prevent water spots. Do not scrub or use brushes on this product.

The following cleaning agents have been found compatible with polycarbonate: Joy*, Top Job** and Palmolive Liquid**.

Caution: Use care when handling decorative windows to avoid scraping or scratching the surface.

NOTE: Minor scratches or scuffs are not considered defects and will not be covered under the window warranty.

Replacement Parts

Replacement parts are available from an authorized professional dealer or a building supply retailer. When ordering repair parts, always provide the following: part name, model number and door width and door height (W x H). For the location of the authorized professional dealer or a building supply retailer nearest you, please write or call:

Clopay Building Products, Consumer Services Dept.,
1400 West Market Street, Troy, OH 45373 USA

Call Toll Free: 1-800-225-6729

Hours of Operation (ET): Mon. – Fri., 8:30 a.m. – 7 p.m.;
Sat. 8:30 a.m. – 5 p.m.

MISSING ANY PARTS?

PLEASE CALL TOLL FREE: (800-225-6729)
PARTS WILL BE REPLACED PROMPTLY

DO NOT RETURN DOOR TO STORE
(Stores Do Not Carry Spare Parts)

IMPORTANT – Information Needed When Calling:

- 1) Model number and size of door (Located on packaging)
- 2) Spring Type (Extension, EZ-SET® Extension, EZ-SET® Torsion or Standard Torsion)
- 3) Store city and state of purchase
- 4) Contract number or serial number if special order (Located on label on the back of the door on packaging).